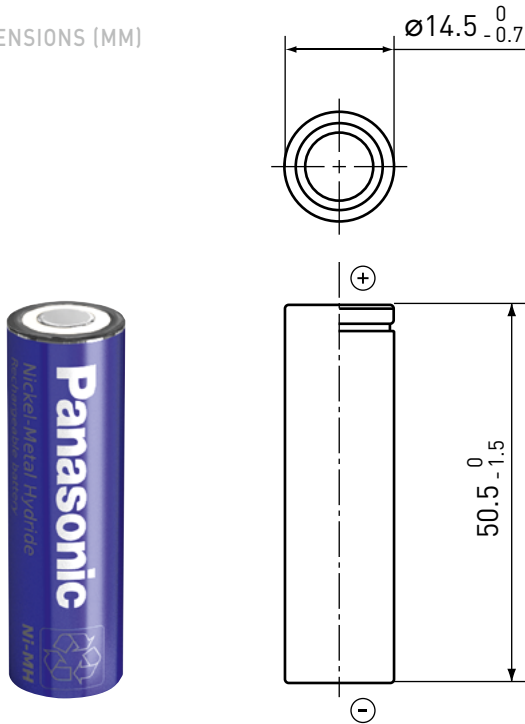


BK-150AAH

HIGH TEMPERATURE & LONG LIFE TYPE
AA SIZE (HR15/51)

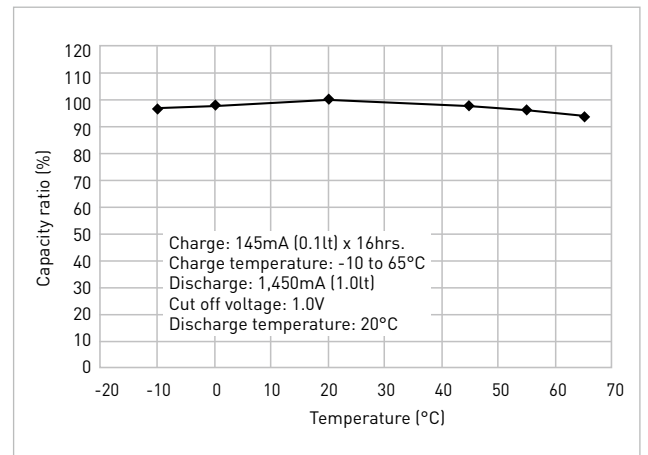
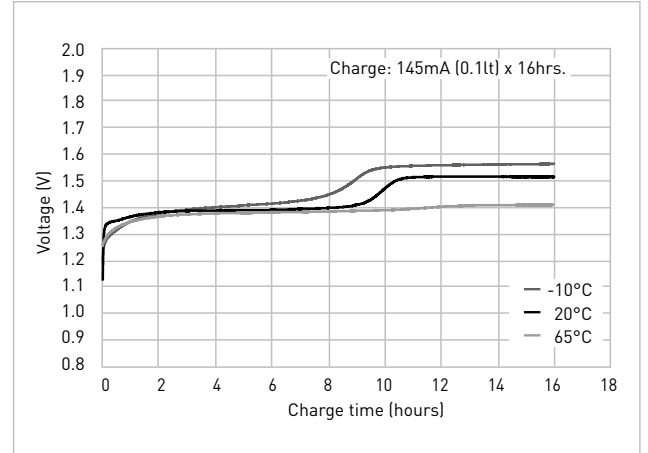


DIMENSIONS (MM)

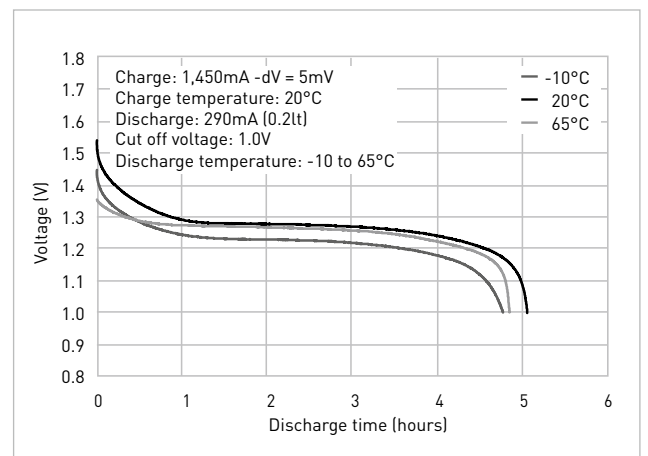


Specifications		BK-150AAH	
Diameter (mm)		14.5 +0/-0.7	
Total height (mm)		50.5 +0/-1.5	
Approximate weight (g)		25	
Nominal voltage (V)		1.2	
Discharge capacity*1	Typical capacity*2 (mAh)	1,530	
	Nominal capacity*3 (mAh)	1,450	
Approx. internal impedance at 1,000Hz at charged state (mΩ)		17	
Charge	Standard (mA x hrs.)	145 x 16	
	Rapid*4 (mA x hrs.)	1,450 x 1.2	
	Low rate (mA x hrs.)	73 x 32	
Ambient temperature	Charge (°C)	Low rate	-10 to 60
		Standard	-10 to 60
		Rapid	-10 to 45
Ambient temperature	Discharge (°C)	Low rate	-10 to 60
		Standard	-10 to 60
		Rapid	-10 to 45
Ambient temperature	Storage (°C)	<1 year	-20 to 35
		<6 months	-20 to 45
		<1 month	-20 to 55
		<1 week	-20 to 65

TYPICAL CHARGE CHARACTERISTICS



TYPICAL DISCHARGE CHARACTERISTICS



*1 After charging at 0.1It for 16 hours, discharging at 0.2It.
 *2 Average capacity (mAh). For reference only.
 *3 Rated capacity (mAh).
 *4 Need specially designed control system. Please contact Panasonic for details.

Battery performance and cycle life are strongly affected by how they are used. In order to maximise battery safety, please consult Panasonic when determining charge/discharge specs, warning label contents and design. The data in this document are for descriptive purposes only and are not intended to make or imply any guarantee or warranty.