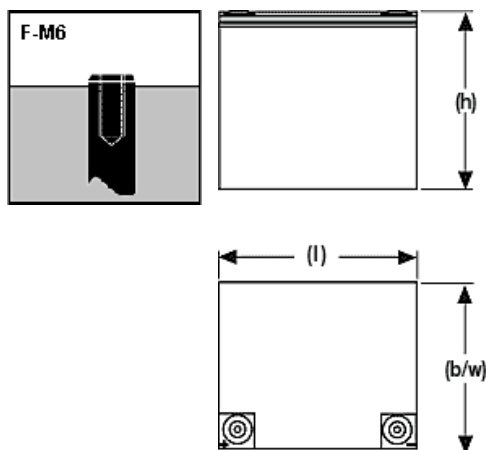


Sprinter – S12V120 data sheet



Terminal: Drawing:



Specifications:

Part numbers not valid for North America, use type for ordering!

Discharge figures are also valid for **UL 94 V0** version. Change "H" to "V" in the part number.

Example

Standard	NASR120120	H	P0FA
UL 94 V0	NASR120120	V	P0FA

Exide type designation	Nom. Voltage V	Power 15min 1.67 VpC 20°C W/cell	Power 15min 1.67 VpC 25°C W/cell	Length (l) max. mm	Width (b/w) max. mm	Height (h1) max. mm	Height over terminals (h2) max. mm	Weight approx. kg	Internal resistance mOhm	Short circuit current A	Terminal
S12V120	12	111	117	173	167	150	161	12.1	6.6	1865	F-M6

Constant-power discharge in W/cell @ 20 °C

Part number	Vpc	5 min	10 min	15 min	20 min	30 min	45 min	1 h	1,25 h	1,5 h
NASR120120HP0FA	1.85	193	130	101	84.7	62.8	45.6	36.1	30.4	25.7
NASR120120HP0FA	1.80	211	138	107	88.5	65.6	47.6	38.0	31.4	26.6
NASR120120HP0FA	1.75	222	141	109	89.4	66.6	48.5	38.0	31.4	27.6
NASR120120HP0FA	1.70	227	142	110	90.4	67.5	49.5	39.0	32.3	27.6
NASR120120HP0FA	1.67	230	143	111	91.3	68.5	49.5	39.0	32.3	27.6
NASR120120HP0FA	1.65	231	144	111	91.3	68.5	49.5	39.0	32.3	27.6
NASR120120HP0FA	1.60	232	145	112	92.3	68.5	49.5	39.0	32.3	27.6
NASR120120HP0FA	1.50	234	146	113	93.2	69.4	50.4	39.9	33.3	28.5