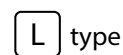
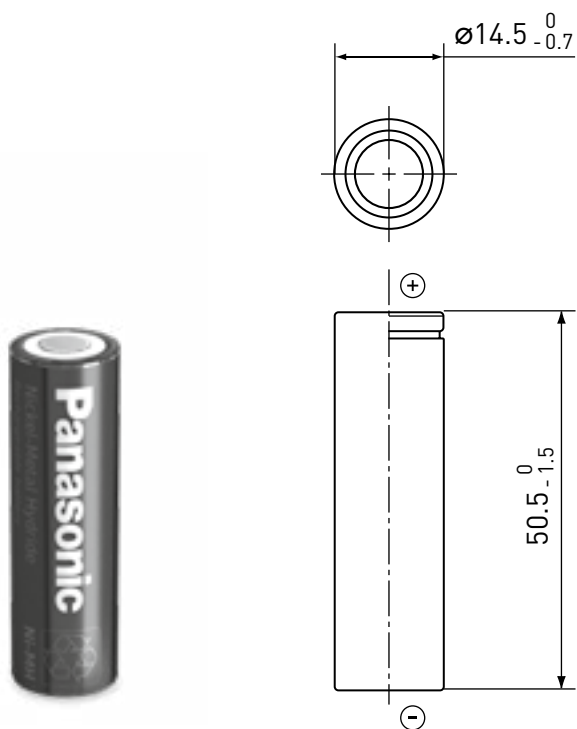


BK-130AA

LOW TEMPERATURE TYPE
AA SIZE (HR15/51)



DIMENSIONS (MM)

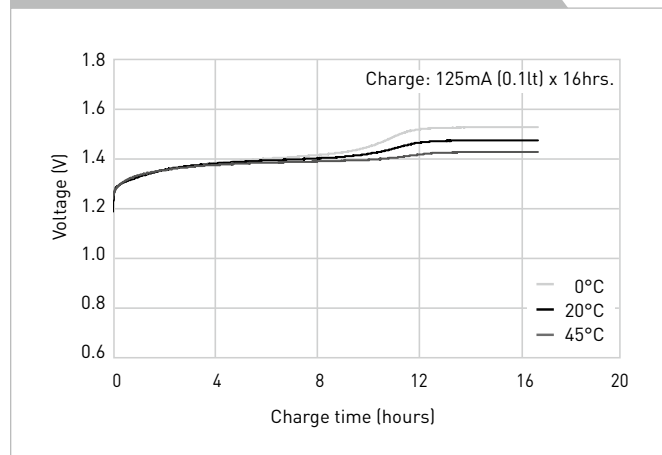


SPECIFICATIONS

Name		BK-130AA	
Diameter (mm)		14.5 +0 / -0.7	
Height (mm)		50.5 +0 / -1.5	
Approximate weight (g)		26	
Nominal voltage (V)		1.2	
Discharge capacity*1	Average*2 (mAh)	1,400	
	Rated/min. (mAh)	1,250	
Approx. internal impedance at 1,000Hz at charged state (mΩ)		23	
Charge	Standard (mA x hrs.)	125 x 16	
	Rapid*3 (mA x hrs.)	1,250 x 1.2	
Ambient temperature	Charge	Standard (°C)	-10 to +45
		Rapid (°C)	0 to +40
Ambient temperature	Discharge (°C)	-30 to +65	
		Storage	<1 year
<6 months	-30 to +45		
<1 month	-30 to +55		

*1 After charging at 0.1It for 16 hours, discharging at 0.2It.
*2 For reference only.
*3 Need specially designed control system. Please contact Panasonic for details.

TYPICAL CHARGE CHARACTERISTICS



TYPICAL DISCHARGE CHARACTERISTICS

