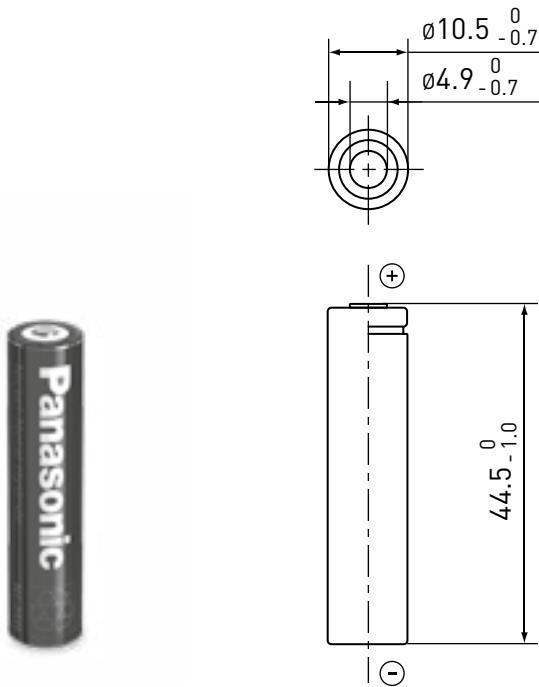


BK-65AAAB

BUTTON TOP TYPE  
AAA SIZE (HR11/45)

**B** type

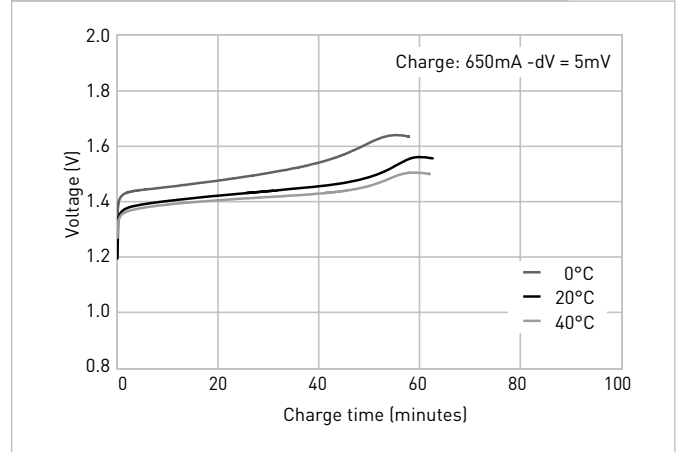
DIMENSIONS (MM)



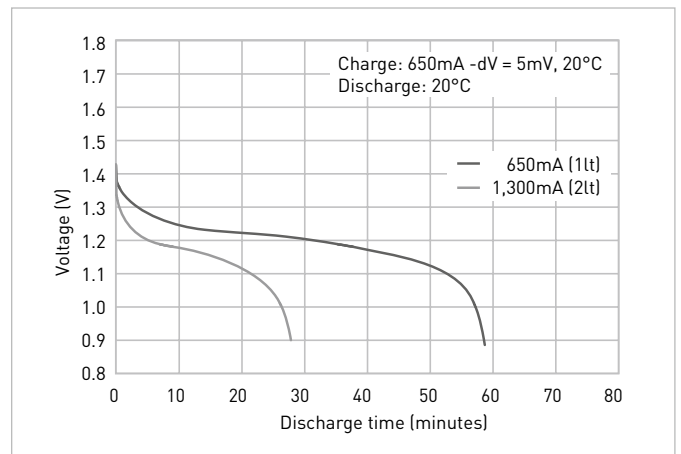
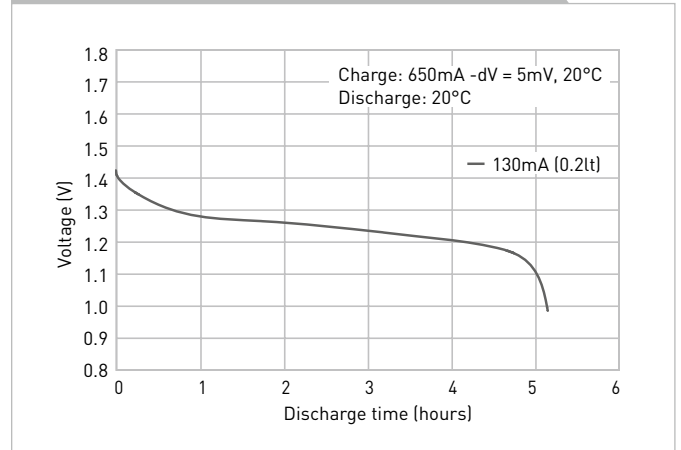
SPECIFICATIONS

Name		BK-65AAAB
Diameter (mm)		10.5 +0/-0.7
Height (mm)		44.5 +0/-1.0
Approximate weight (g)		12
Nominal voltage (V)		1.2
Discharge capacity*1	Average*2 (mAh)	700
	Rated/min. (mAh)	650
Approx. internal impedance at 1,000Hz at charged state (mΩ)		30
Charge	Standard (mA x hrs.)	65 x 16
	Rapid*3 (mA x hrs.)	650 x 1.2
Charge	Standard (°C)	0 to +45
	Rapid (°C)	0 to +40
Discharge (°C)		-10 to +65
Storage	<1 year	-20 to +35
	<6 months	-20 to +45
	<1 month	-20 to +55
	<1 week	-20 to +65

TYPICAL CHARGE CHARACTERISTICS



TYPICAL DISCHARGE CHARACTERISTICS



\*1 After charging at 0.1It for 16 hours, discharging at 0.2It.  
\*2 For reference only.  
\*3 Need specially designed control system. Please contact Panasonic for details.