

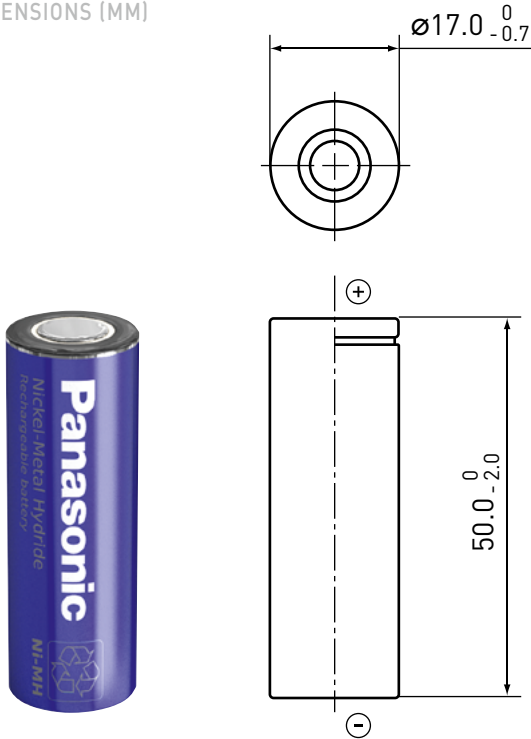
INDIVIDUAL DATA SHEETS

BK-210A
HHR-210A (OLD)

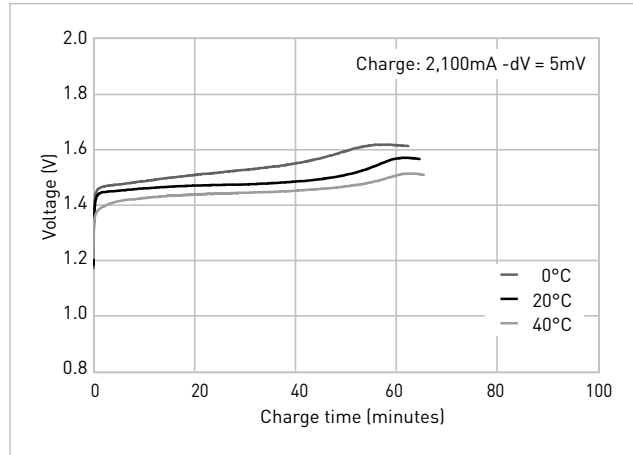
STANDARD TYPE
A SIZE (HR17/50)



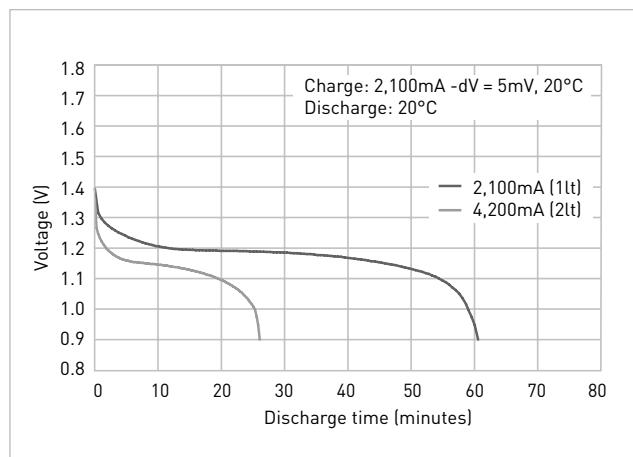
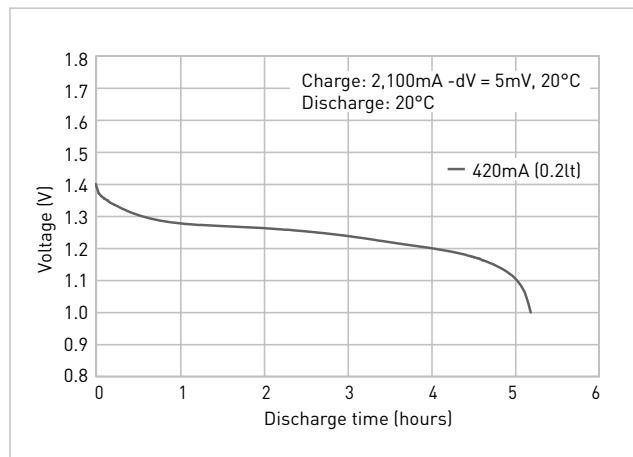
DIMENSIONS (MM)



TYPICAL CHARGE CHARACTERISTICS



TYPICAL DISCHARGE CHARACTERISTICS



Specifications		BK-210A
Diameter (mm)		17.0 +0/-0.7
Total height (mm)		50.0 +0/-2.0
Approximate weight (g)		38
Nominal voltage (V)		1.2
Discharge capacity*1	Typical capacity*2 (mAh)	2,200
	Nominal capacity*3 (mAh)	2,100
Approx. internal impedance at 1,000Hz at charged state (mΩ)		20
Charge	Standard (mA x hrs.)	210 x 16
	Rapid*4 (mA x hrs.)	2,100 x 1.2
Charge (°C)	Standard	0 to 45
	Rapid	0 to 40
Discharge (°C)		-10 to 65
Ambient temperature	<1 year	-20 to 35
	<6 months	-20 to 45
	<1 month	-20 to 55
	<1 week	-20 to 65

*1 After charging at 0.1It for 16 hours, discharging at 0.2It.
 *2 Average capacity (mAh). For reference only.
 *3 Rated capacity (mAh).
 *4 Need specially designed control system. Please contact Panasonic for details.