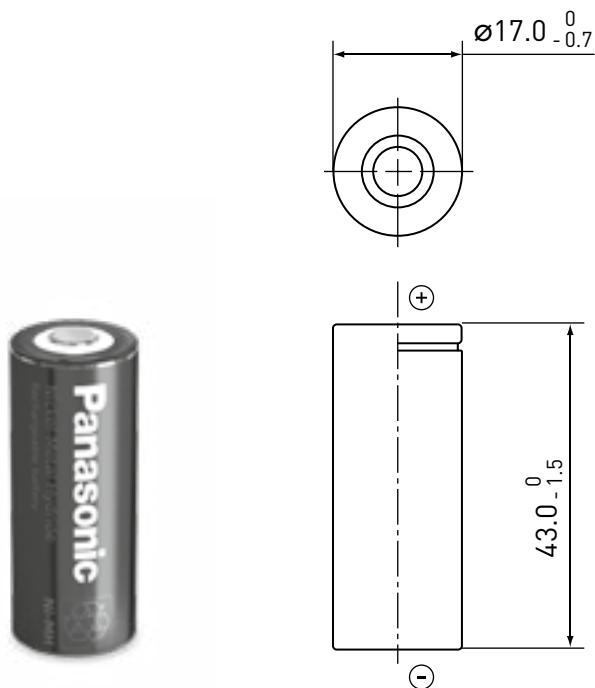


BK-200A
HHR-200A (OLD)

STANDARD TYPE
4/5A SIZE (HR17/43)

N type

DIMENSIONS (MM)

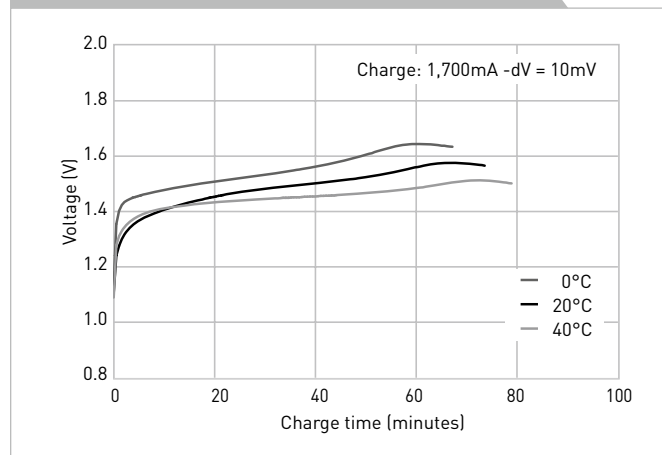


SPECIFICATIONS

Name		BK-200A
Diameter (mm)		17.0 +0 / -0.7
Height (mm)		43.0 +0 / -1.5
Approximate weight (g)		32
Nominal voltage (V)		1.2
Discharge capacity*1	Average*2 (mAh)	2,040
	Rated/min. (mAh)	2,000
Approx. internal impedance at 1,000Hz at charged state (mΩ)		20
Charge	Standard (mA x hrs.)	200 x 16
	Rapid*3 (mA x hrs.)	1,700 x 1.2
Charge	Standard (°C)	0 to +45
	Rapid (°C)	0 to +40
Discharge (°C)		-10 to +65
Storage	<1 year	-20 to +35
	<6 months	-20 to +45
	<1 month	-20 to +55
	<1 week	-20 to +65

*1 After charging at 0.1It for 16 hours, discharging at 0.2It.
 *2 For reference only.
 *3 Need specially designed control system. Please contact Panasonic for details.

TYPICAL CHARGE CHARACTERISTICS



TYPICAL DISCHARGE CHARACTERISTICS

