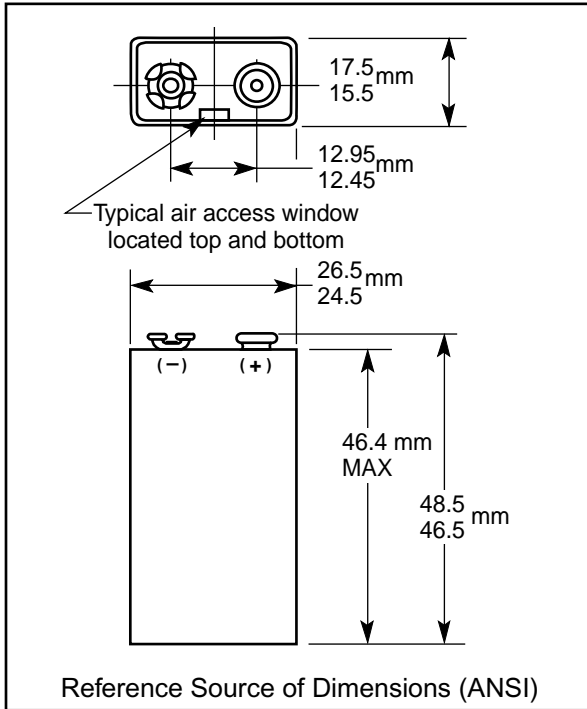
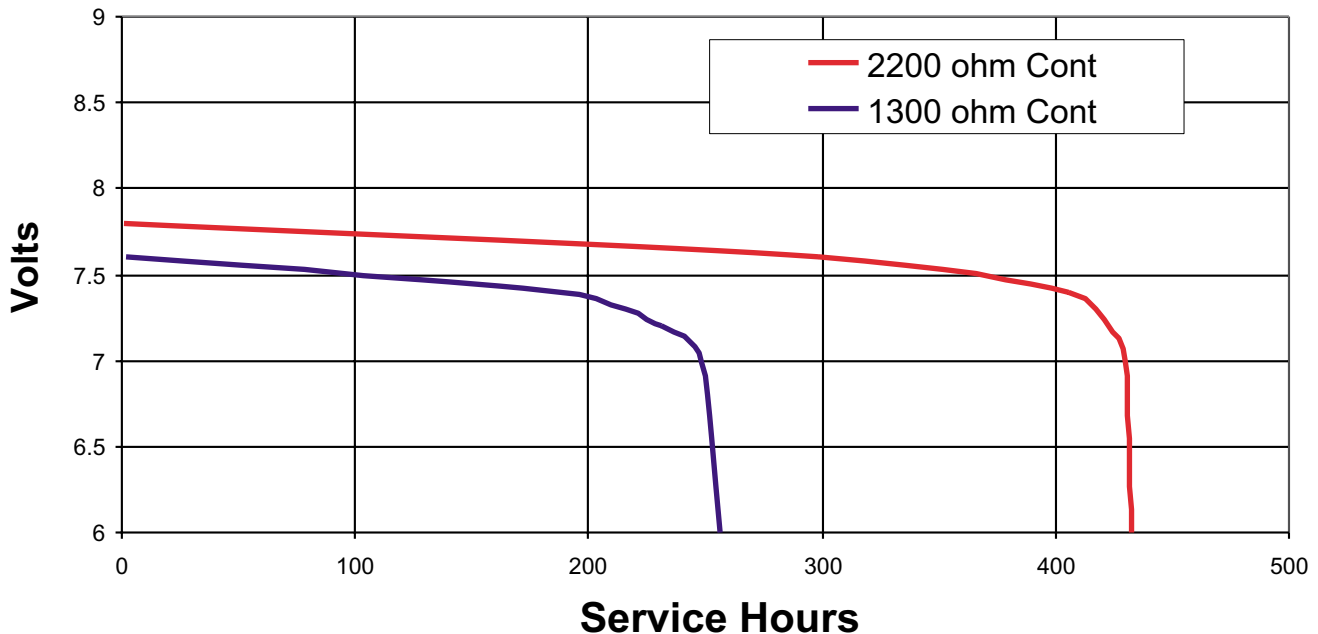


Zinc Air Battery



Nominal Voltage:	8.4 V
Rated Capacity:	1,500 mAh at 1,300 ohm to 6.0 V at 21°C (70°F)
Nominal Internal Impedance:	12 ohm @ 1kHz
Average Weight:	34.03 gm
Volume:	17.86 cm ³
Terminals:	Snap
Operating Temperature Range:	0°C to 50°C (32°F to 122°F)
ANSI:	7004 ZD
IEC:	-

Typical Discharge Characteristics at 21°C (70°F)



DURACELL®
BATTERIES

Berkshire Corporate Park
Bethel, CT 06801 U.S.A.

Internet: www.duracell.com
Telephone: Toll-free 1-800-544-5454

* Delivered capacity is dependent on the applied load, operating temperature and cut-off voltage. Please refer to the charts and discharge data shown for examples of the energy / service life that the battery will provide for various load conditions.