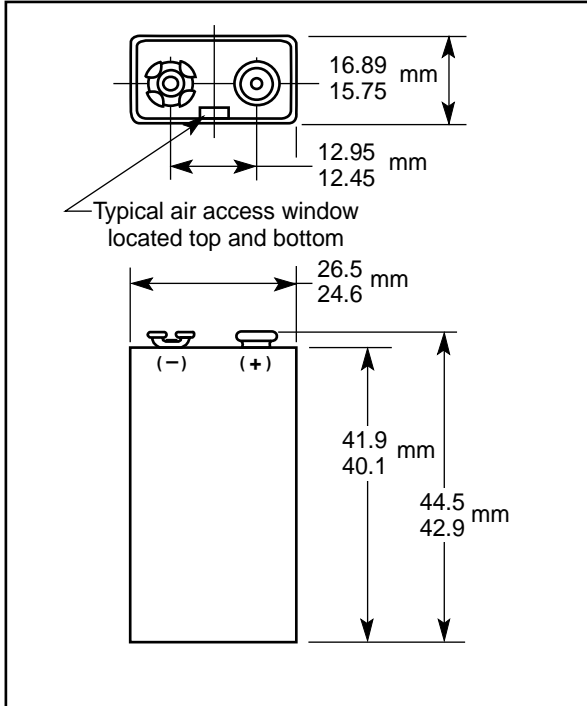
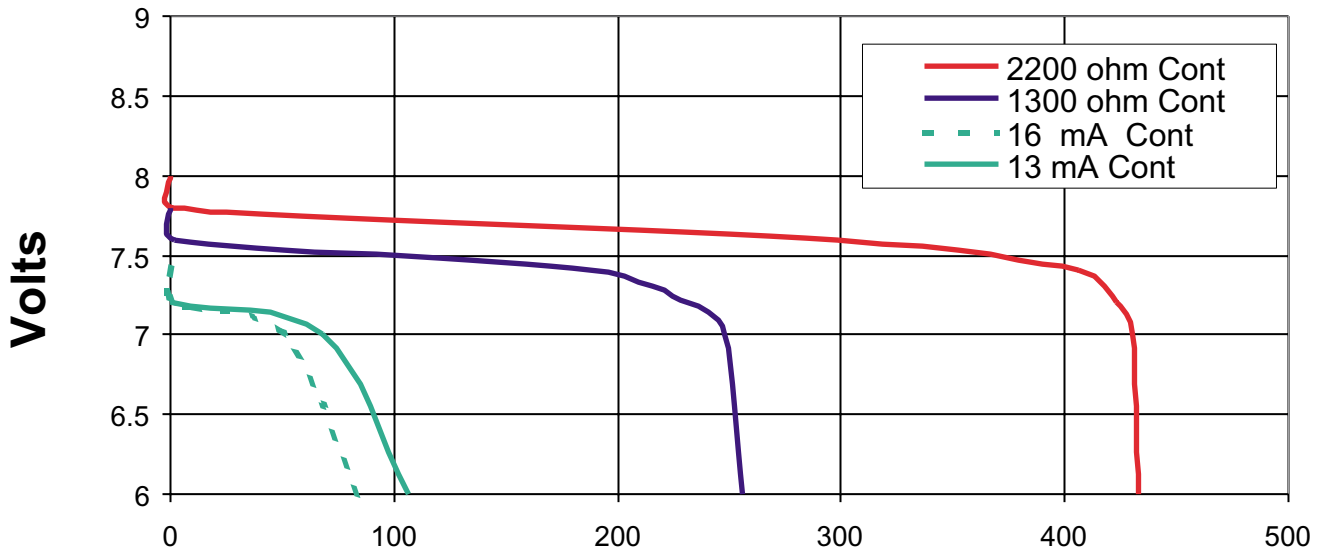


## Zinc Air Battery



<b>Nominal Voltage:</b>	8.4 V
<b>Rated Capacity:</b>	1,500 mAh at 1,300 ohm to 6.0 V at 21°C (70°F)
<b>Nominal Internal Impedance:</b>	12 ohm @ 1kHz
<b>Average Weight:</b>	34.03 gm
<b>Volume:</b>	17.86 cm <sup>3</sup>
<b>Terminals:</b>	Snap
<b>Operating Temperature Range:</b>	0°C to 50°C (32°F to 122°F)
<b>ANSI:</b>	7004 Z
<b>IEC:</b>	-

### Typical Discharge Characteristics at 21°C (70°F)



### Service Hours

**DURACELL®**  
BATTERIES

Berkshire Corporate Park  
Bethel, CT 06801 U.S.A.

Internet: [www.duracell.com](http://www.duracell.com)  
Telephone: Toll-free 1-800-544-5454

\* Delivered capacity is dependent on the applied load, operating temperature and cut-off voltage. Please refer to the charts and discharge data shown for examples of the energy / service life that the battery will provide for various load conditions.