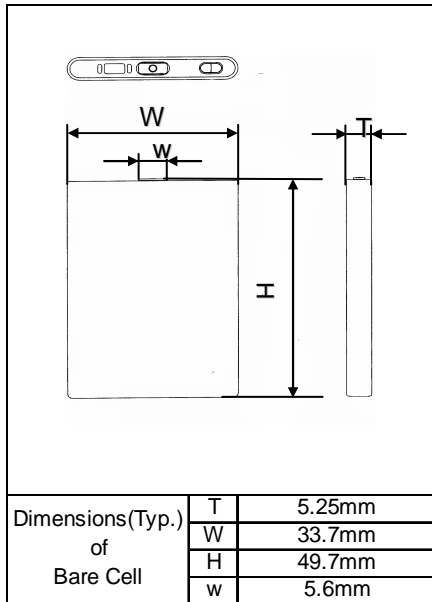


Cell Type UF553450Z

Specifications



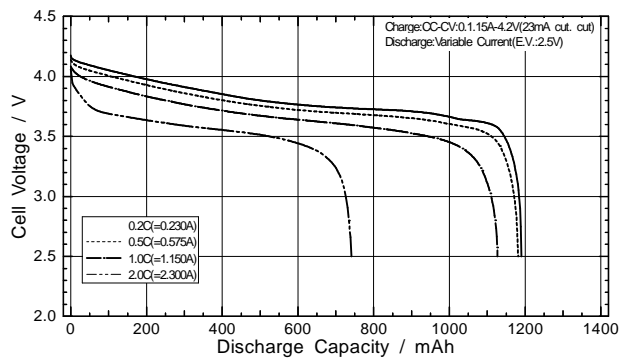
Nominal Capacity		Min. 1150mAh
Nominal Voltage		3.7V
Charging Method		Constant Current -Constant Voltage
Charging Voltage		4.2V
Charging Current		Std. 1150mA
Charging Time		2.5hrs.
Ambient Temperature	Charge	0 ~ +40°C
	Discharge	-20 ~ +60°C
	Storage	-20 ~ +50°C
Weight (Max.)		22.3g
Dimensions (Max.)	(T)	5.55mm
	(W)	33.85mm
	(H)	49.80mm
Volumetric Energy Density		454Wh/l
Gravimetric Energy Density		190Wh/kg

Discharged State after Assembling

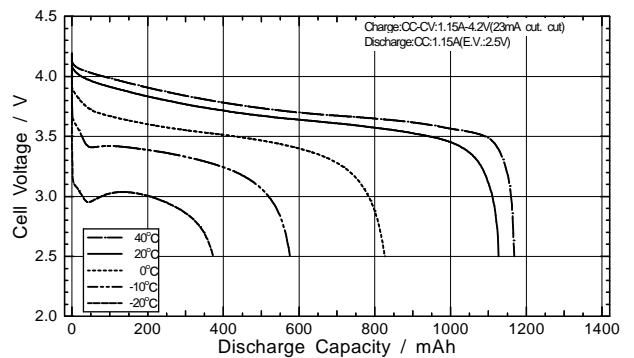
*The maximum thickness of the standard shipment charging condition

Typical Characteristics

Discharge rate characteristics



Discharge temperature characteristics



Charge characteristics

