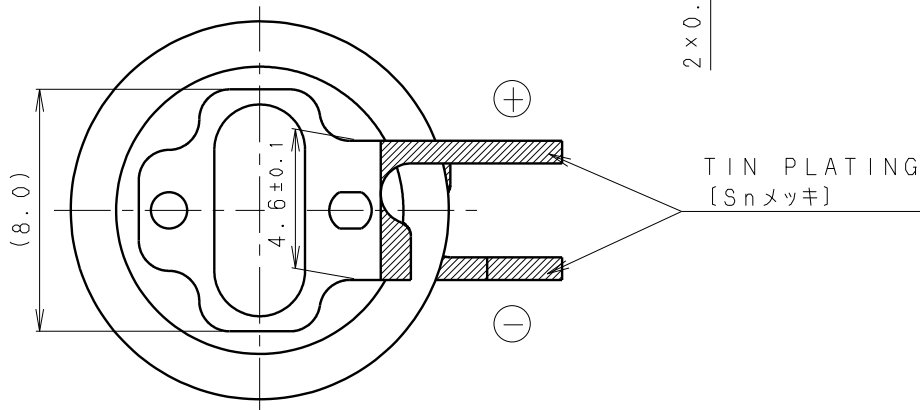
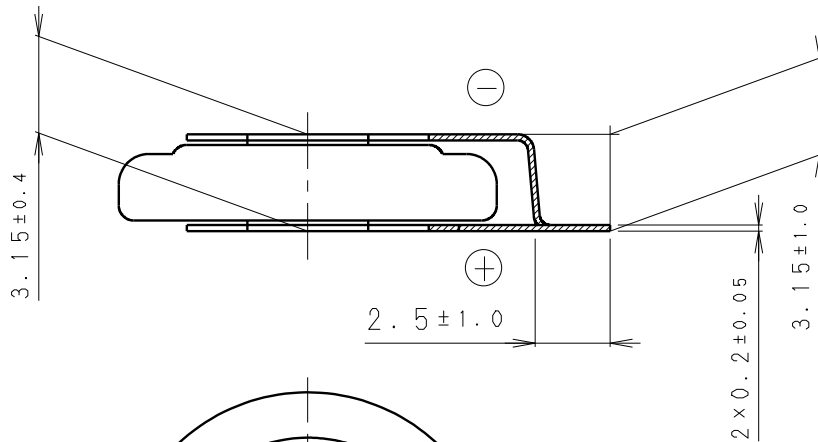
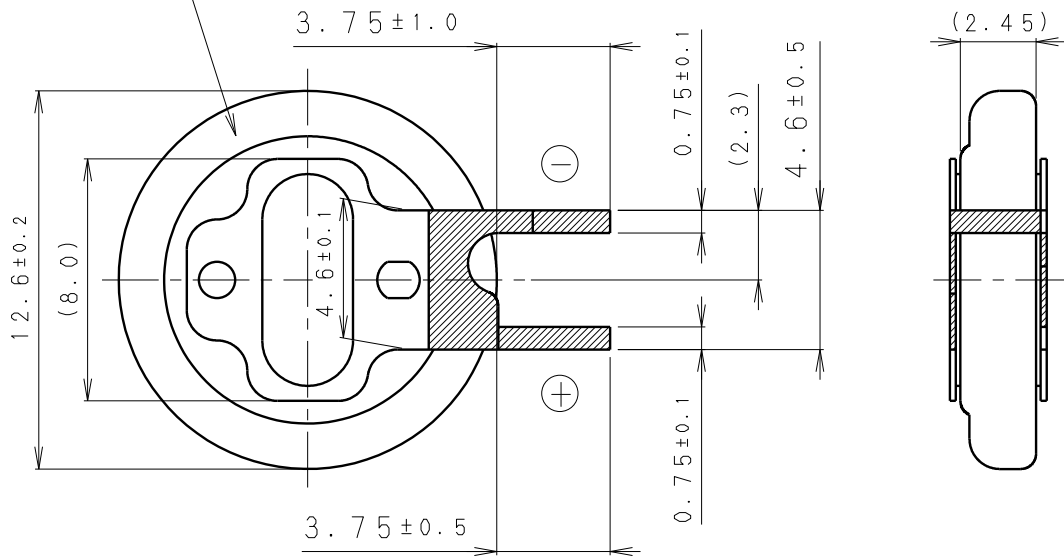


Scale	5	Drawn	Designed	Checked	Approved	Name	BR1225A/FA
	1					No.	PS-B12580

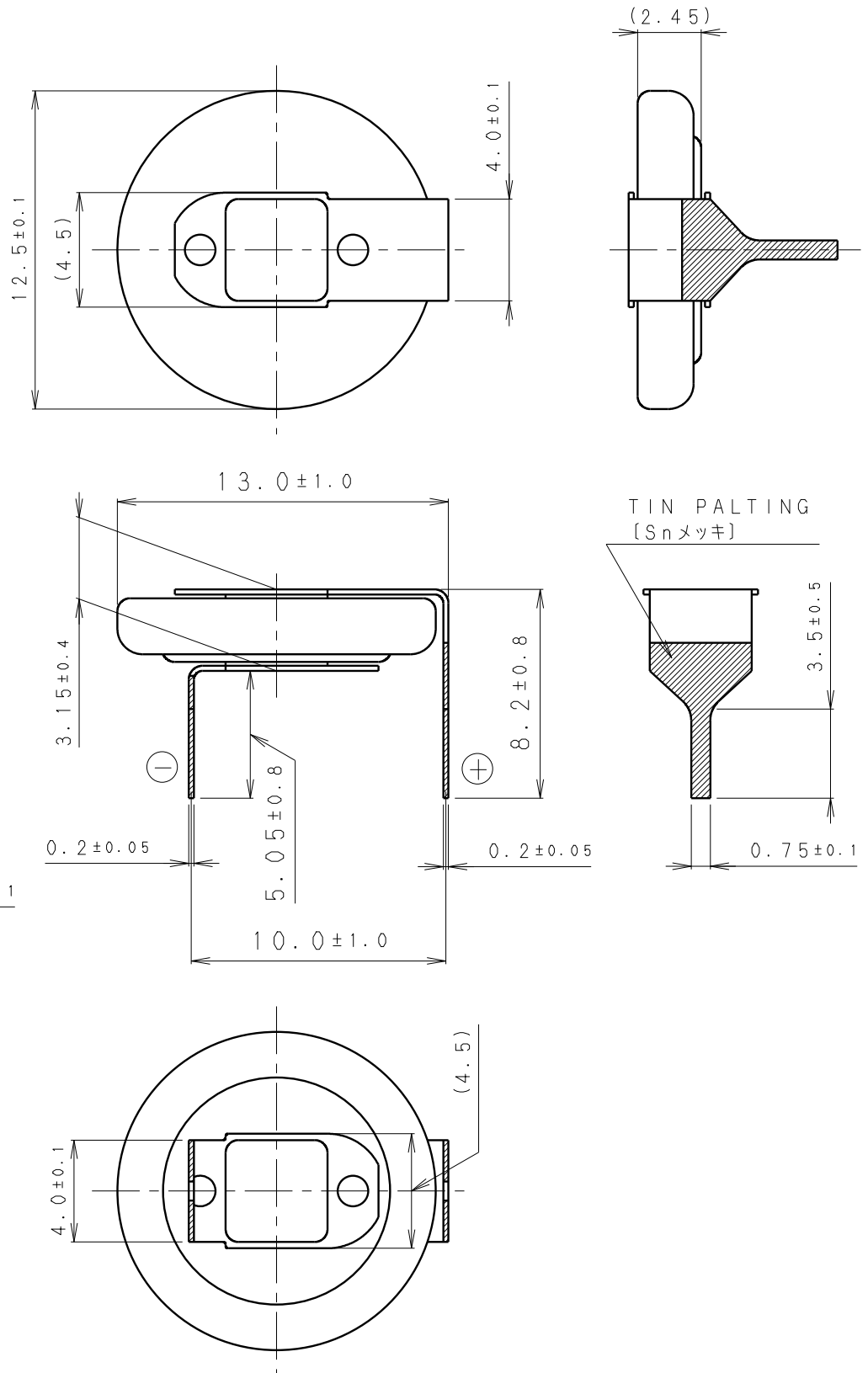
INSULATOR (FRESH GREEN)
 [絶縁チューブ* (フレッシュグリーン色)]



* NOTE [注記]

1. TAB PULLING STRENGTH OVER 19.6N
 [端子溶接強度: 19.6N以上]
2. TAB MATERIAL: STAINLESS STEEL WITH TIN PLATING [錫メッキ]
 [端子材料: 基材 ステンレス/表面 部分Snメッキ]
3. (): REFERENCE DIMENSION AND ANGLE
 [() 寸法、角度は参考値]

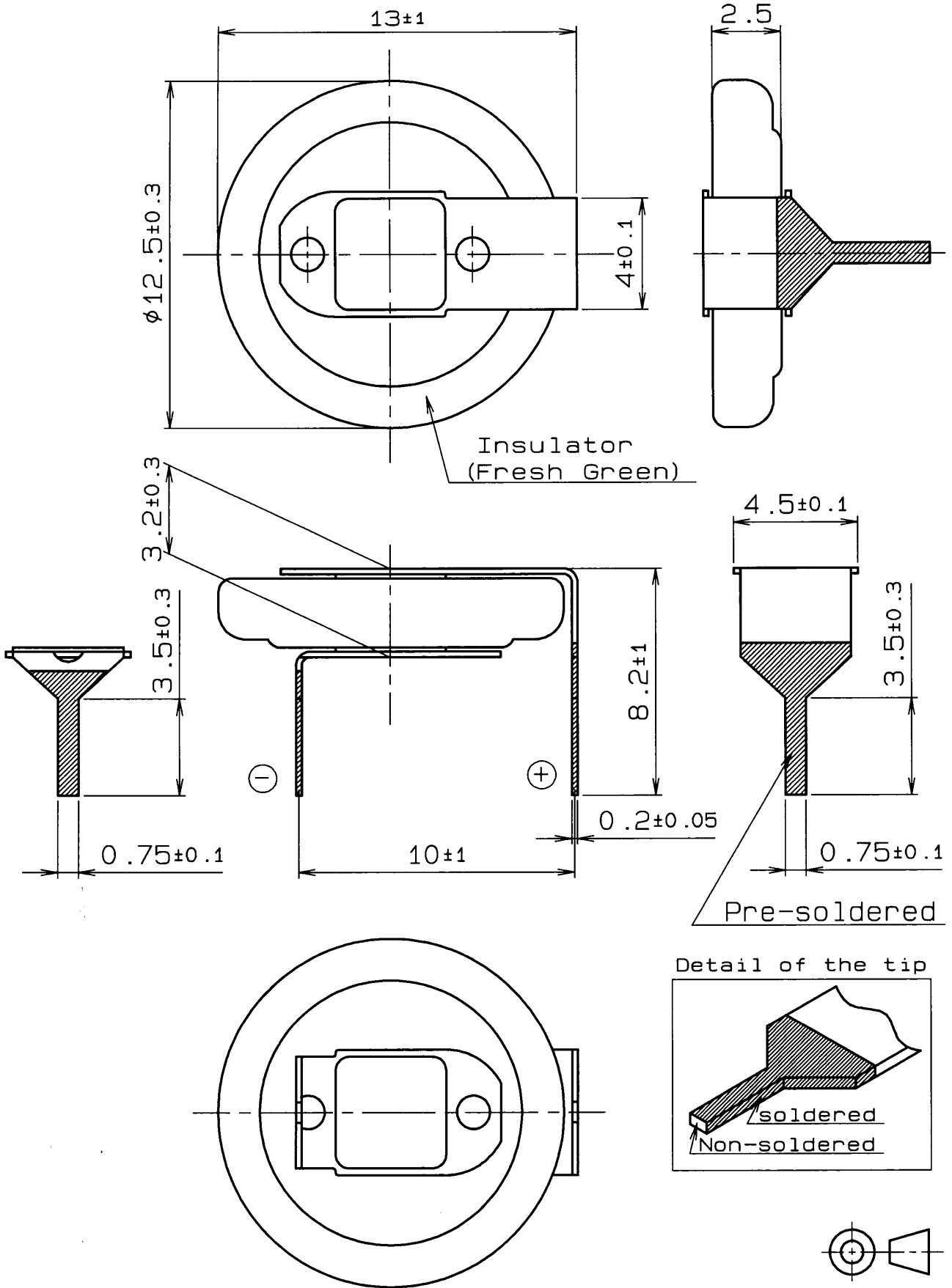
PRODUCT NO.	BR-1225A/FAN		SCALE
			4:1
DRAWING NO.	JGFA6Z	REV.	UNIT: mm
		0	



* NOTE [注記]

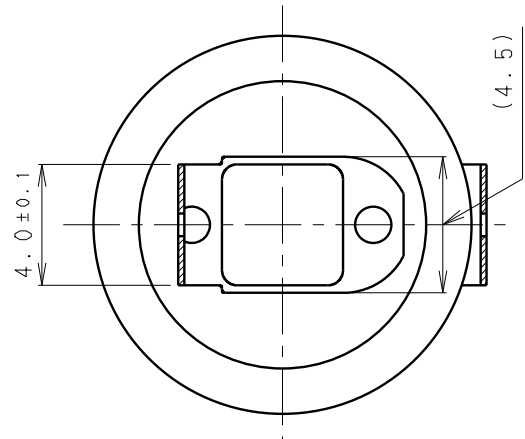
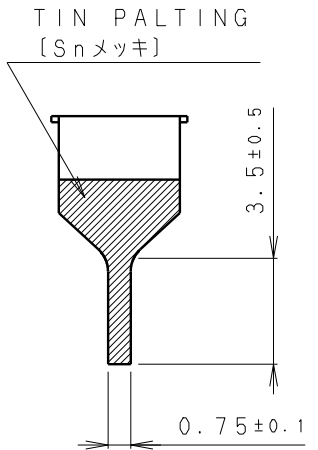
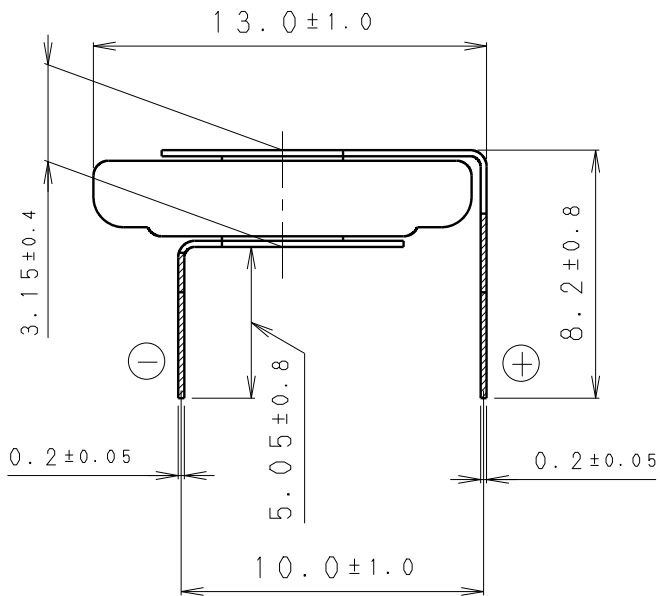
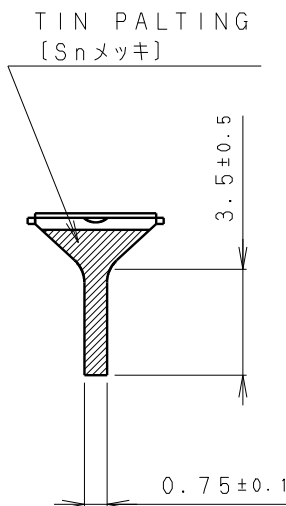
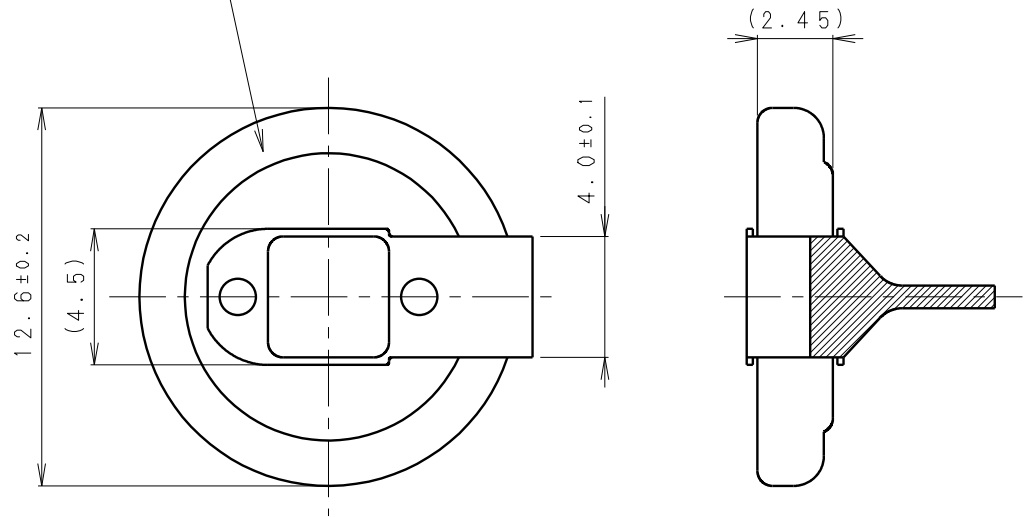
- TAB PULLING STRENGTH OVER 19.6N
[端子溶接強度: 19.6N以上]
- TAB MATERIAL: STAINLESS STEEL WITH TIN PLATING [錫めっき]
[端子材料: 基材 ステンレス/表面 部分Snメッキ]
- (): REFERENCE DIMENSION AND ANGLE
[() 寸法、角度は参考値]

PRODUCT NO.	BR-1225A/HAN	SCALE	
		4:1	
DRAWING NO.	JGHA1N	REV.	 UNIT: mm
		0	



Scale	1	Drawn	Designed	Checked	Approved	Name	BR1225A/HB
	5					No.	PS-B12582E (2)

INSULATOR (FRESH GREEN)
 [絶縁チューブ (フレッシュグリーン色)]

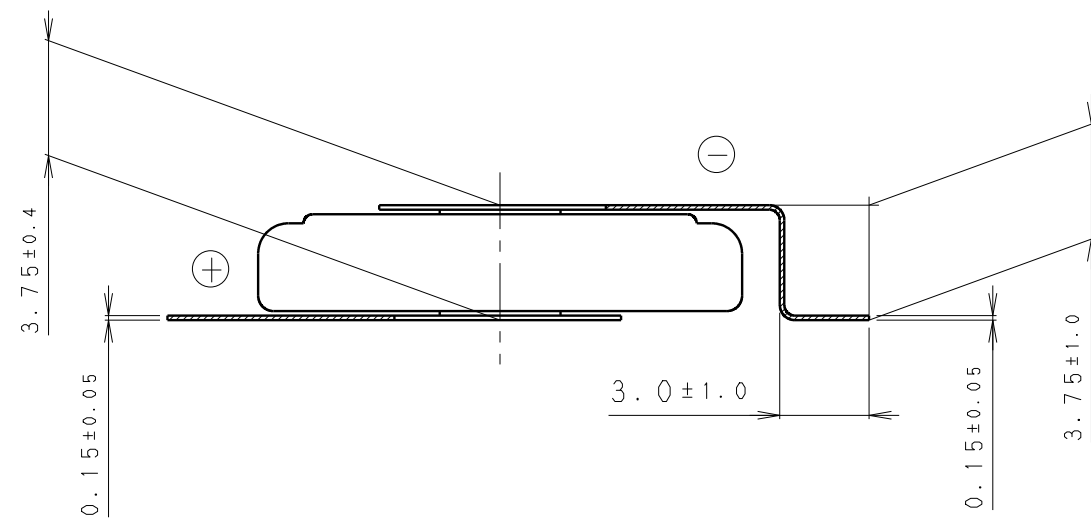
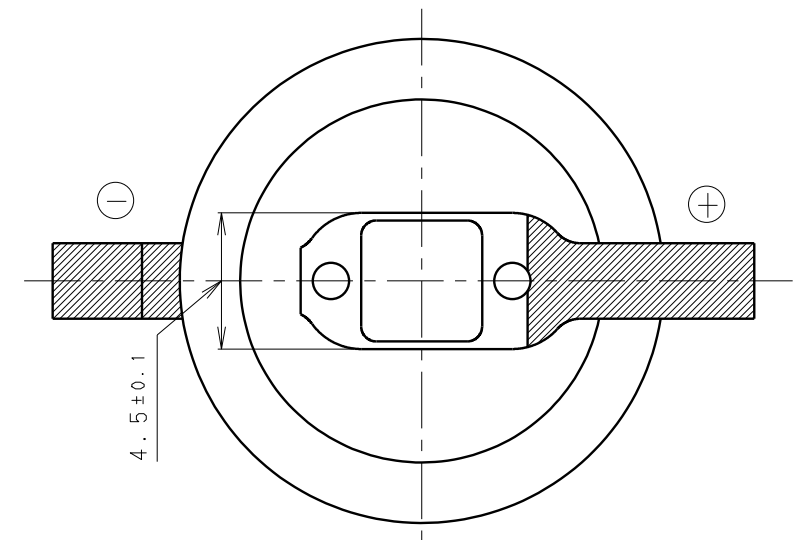
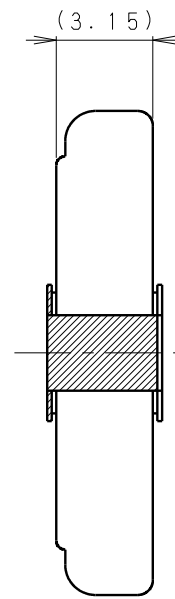
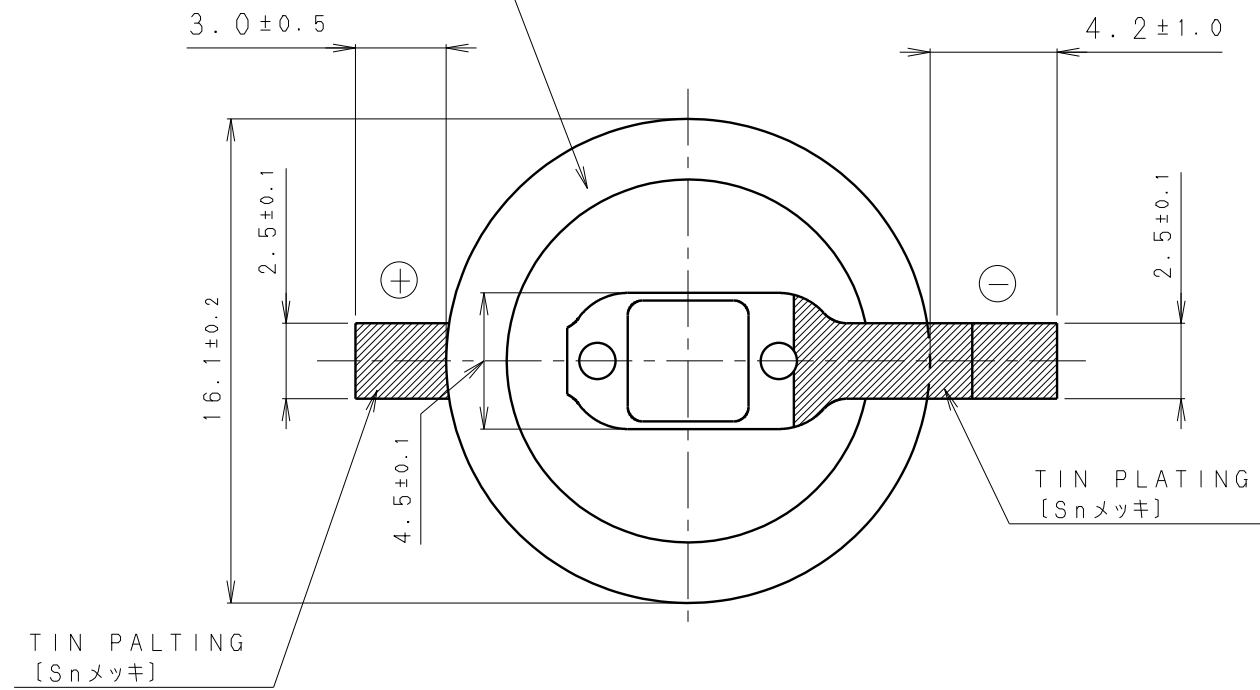


* NOTE [注記]

1. TAB PULLING STRENGTH OVER 19.6N
 [端子溶接強度: 19.6N以上]
2. TAB MATERIAL: STAINLESS STEEL WITH TIN PLATING [斜線]
 [端子材料: 基材 ステンレス/表面 部分Snメッキ [斜線]]
3. (): REFERENCE DIMENSION AND ANGLE
 [() 寸法、角度は参考値]

PRODUCT NO.	BR-1225A/HBN	SCALE	
		4:1	
DRAWING NO.	JGHA1Z	REV.	
		0	

INSULATOR (FRESH GREEN)
 [絶縁チューブ (フレッシュグリーン色)]

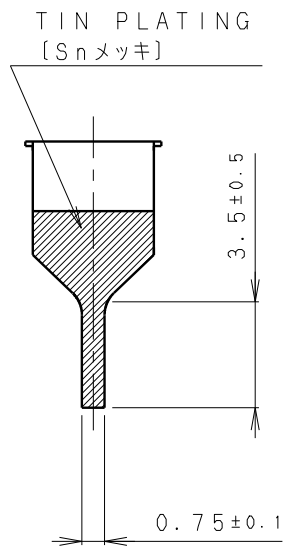
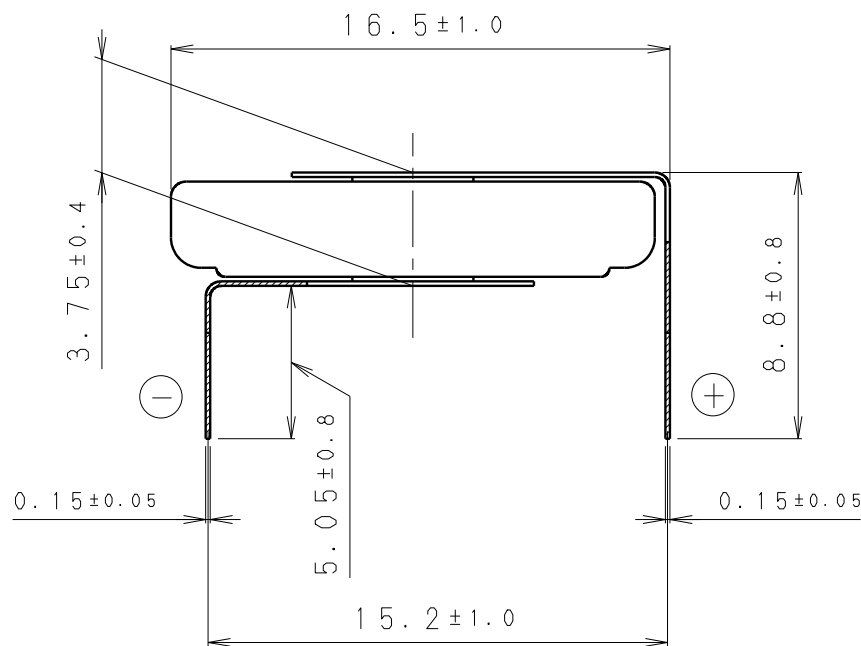
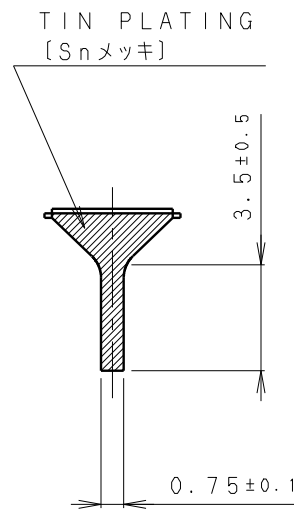
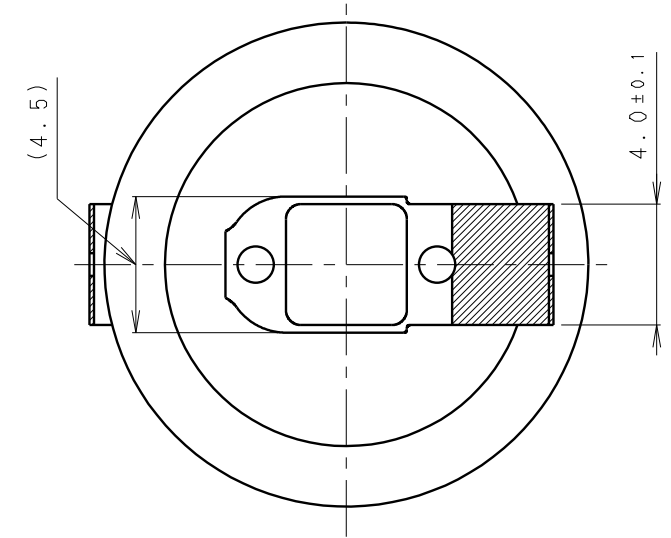
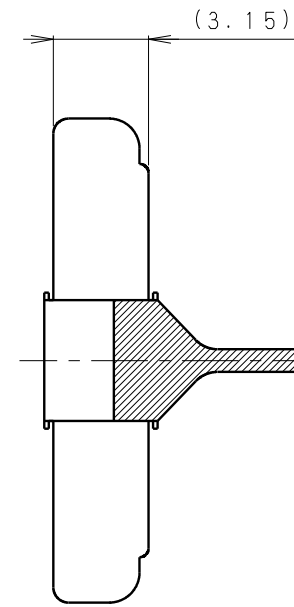
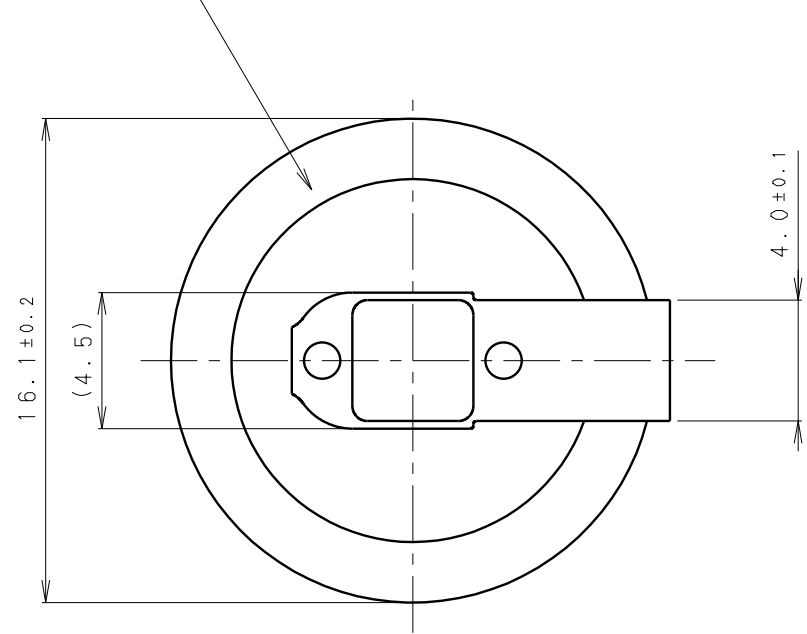


* NOTE [注記]

1. TAB PULLING STRENGTH OVER 14.7N [端子溶接強度: 14.7N以上]
2. TAB MATERIAL: STAINLESS STEEL WITH TIN PLATING [端子材料: 基材 ステンレス/表面 部分Snメッキ]
3. (): REFERENCE DIMENSION AND ANGLE [() 寸法、角度は参考値]

PRODUCT NO.	BR-1632A/FAN	SCALE	
		4:1	
DRAWING NO.	MMFA6Z	REV.	UNIT:mm
		0	

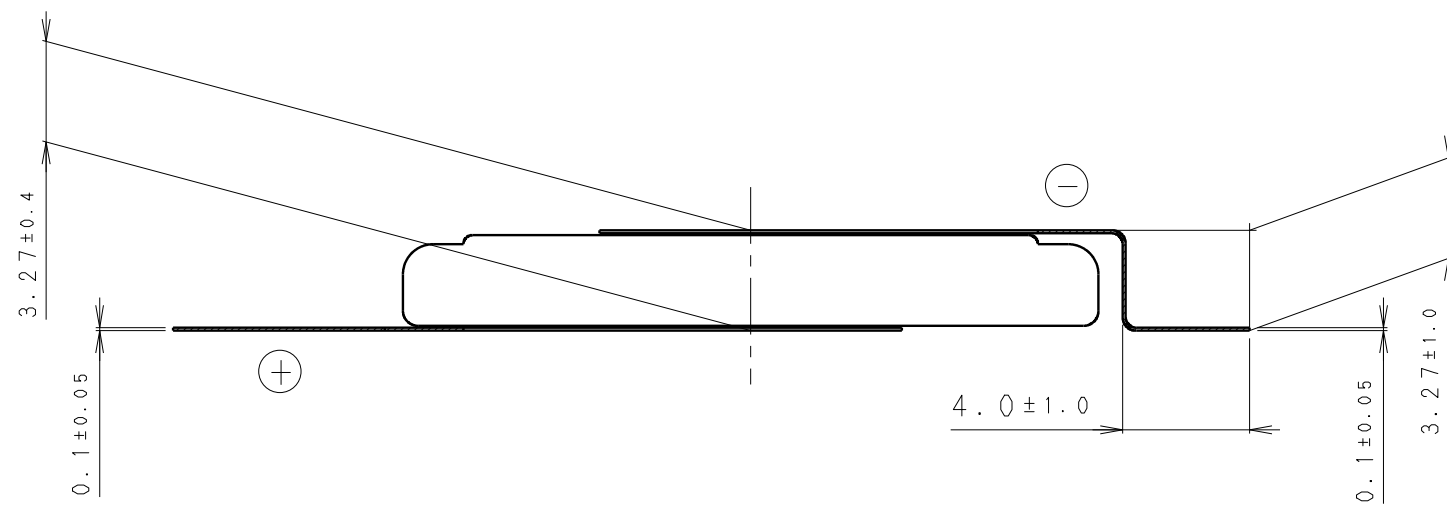
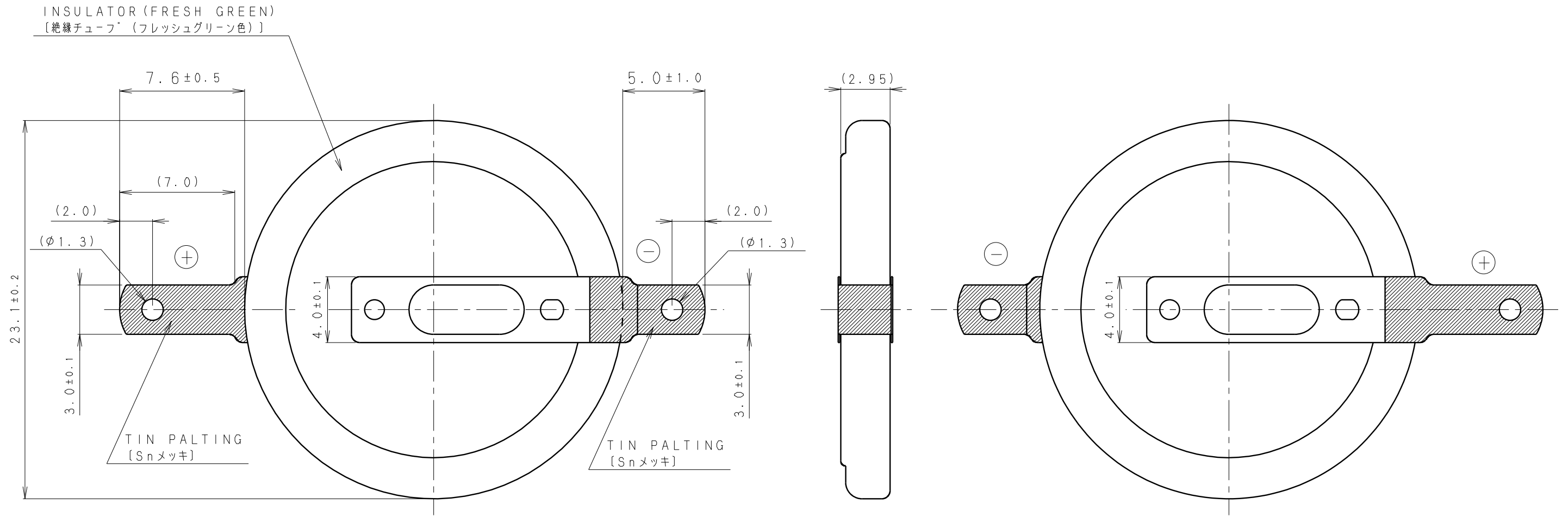
INSULATOR (YELLOW)
 [絶縁チューブ (黄色)]



* NOTE [注記]

1. TAB PULLING STRENGTH OVER 14.7N [端子溶接強度: 14.7N以上]
2. TAB MATERIAL: STAINLESS STEEL WITH TIN PLATING [端子材料: 基材 ステンレス/表面 部分Snメッキ]
3. (): REFERENCE DIMENSION AND ANGLE [() 寸法、角度は参考値]

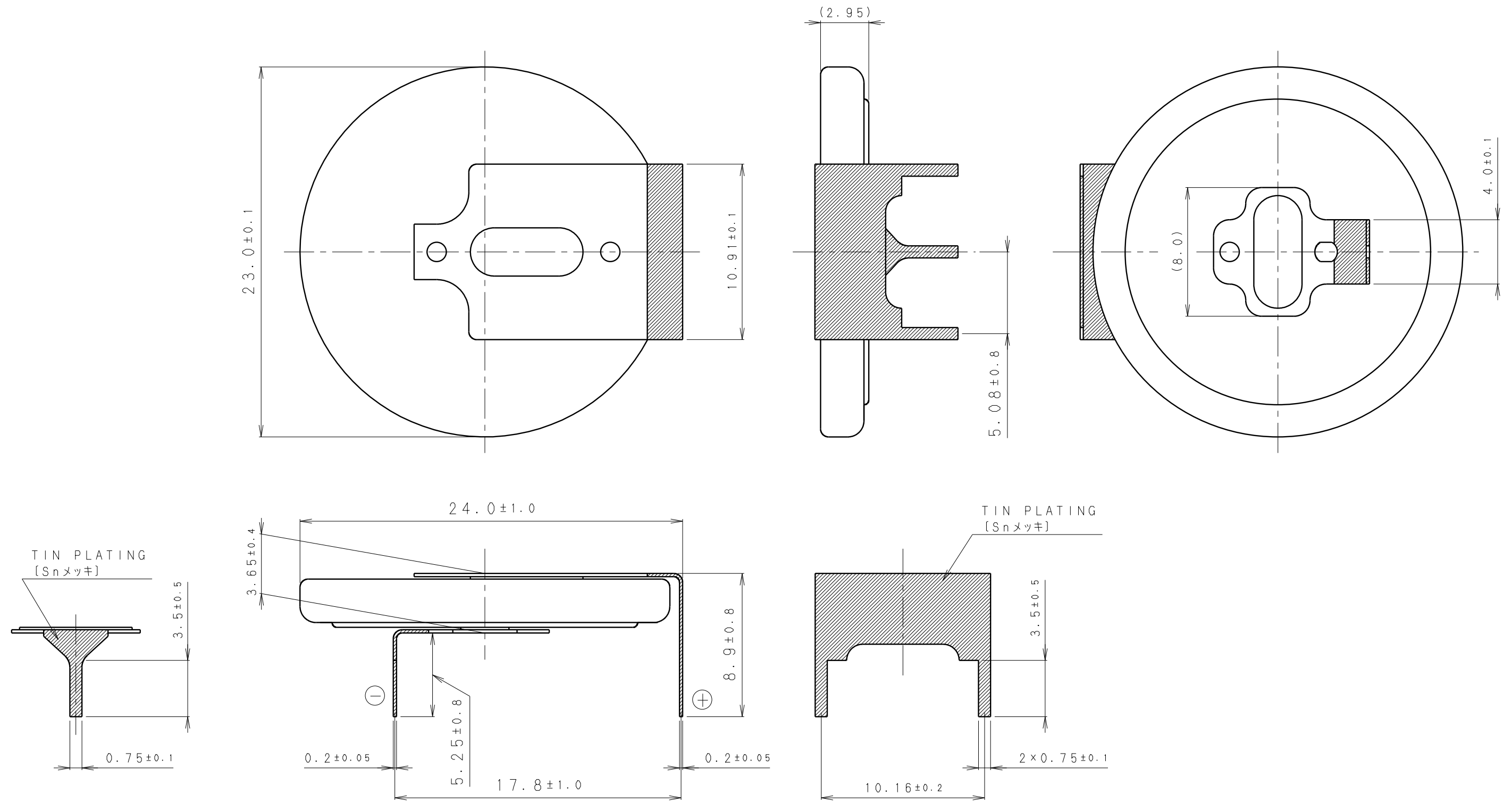
PRODUCT NO.	BR-1632A/HAN	SCALE	
		4:1	
DRAWING NO.	MMHA1Z	REV.	UNIT:mm
		0	



* NOTE [注記]

1. TAB PULLING STRENGTH OVER 9.8 N [端子溶接強度: 9.8N以上]
2. TAB MATERIAL: STAINLESS STEEL WITH TIN PLATING [端子材料: 基材 ステンレス/表面 部分Snメッキ]
3. (): REFERENCE DIMENSION AND ANGLE [() 寸法、角度は参考値]

PRODUCT NO.	BR-2330A/FAN	SCALE	4:1
DRAWING NO.	QKFA6Z	REV.	0
			UNIT: mm

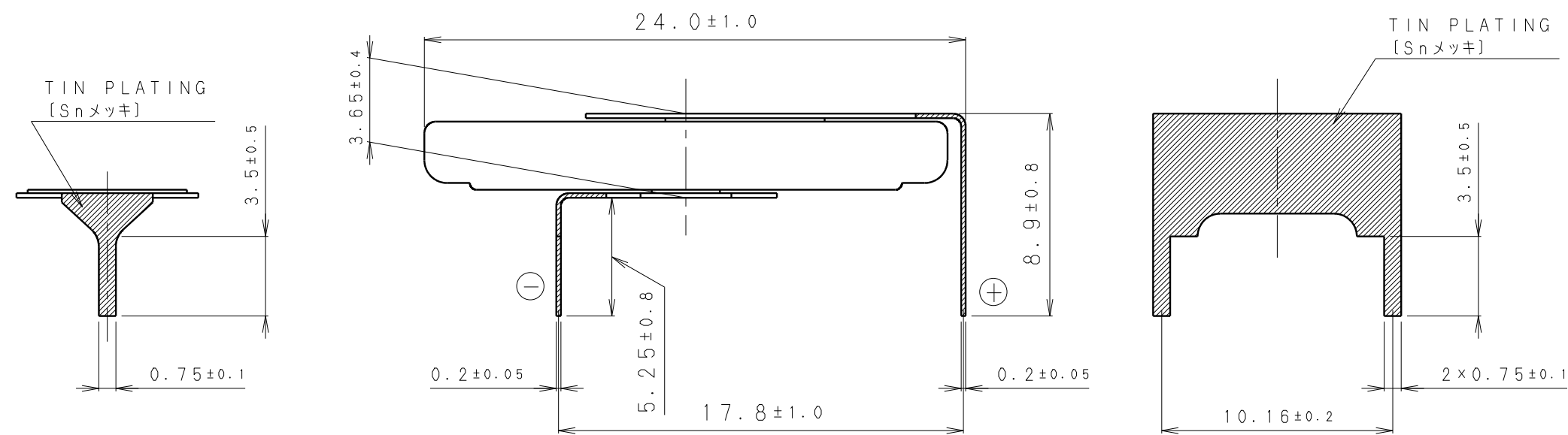
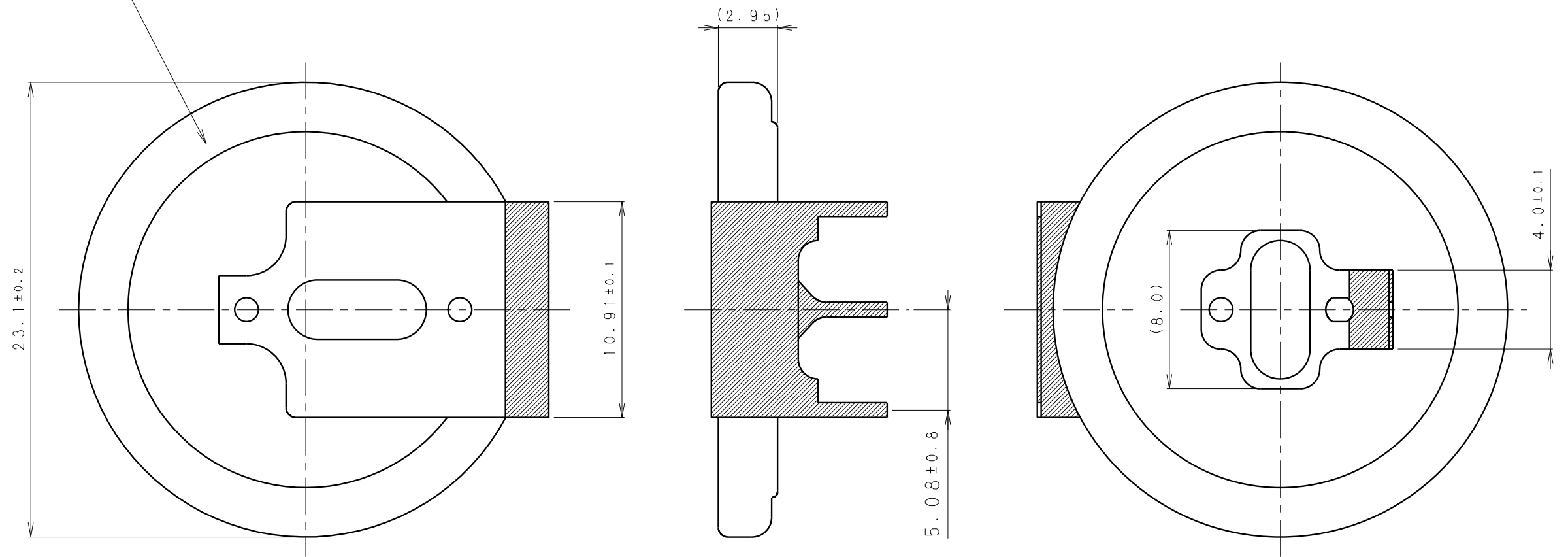


* NOTE [注記]

1. TAB PULLING STRENGTH OVER 19.6N [端子溶接強度: 19.6N以上]
2. TAB MATERIAL: STAINLESS STEEL WITH TIN PLATING [端子材料: 基材 ステンレス/表面 部分Snメッキ]
3. (): REFERENCE DIMENSION AND ANGLE [() 寸法、角度は参考値]

PRODUCT NO.	BR-2330A/GAN	SCALE	4:1
DRAWING NO.	QKGB1N	REV.	0
			UNIT:mm

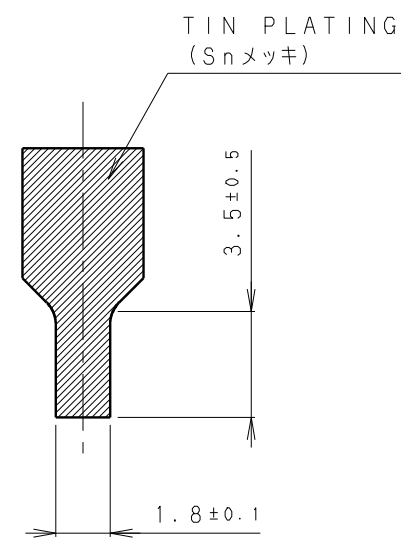
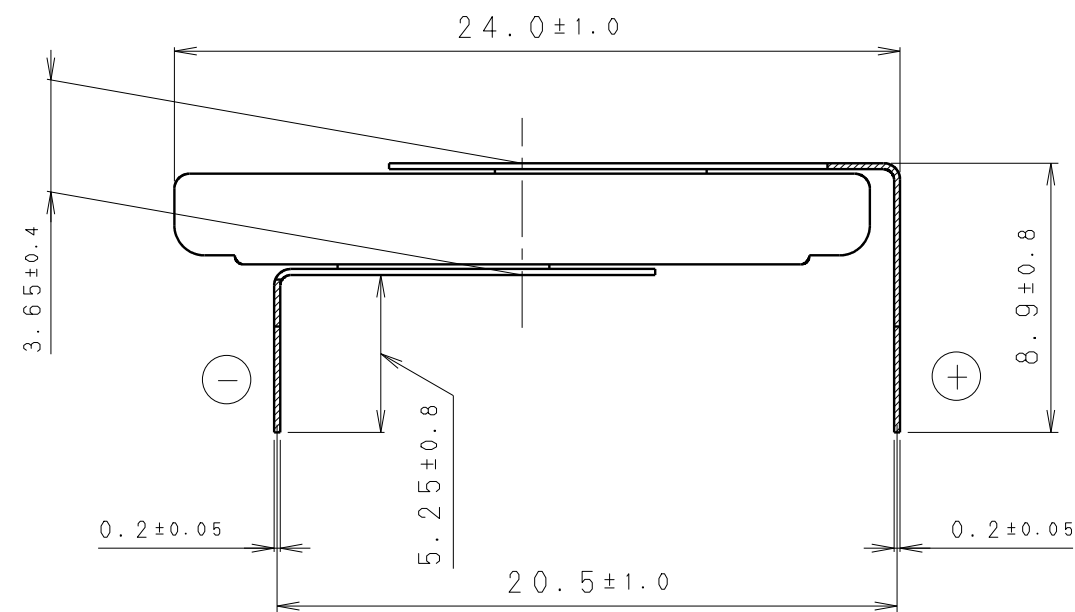
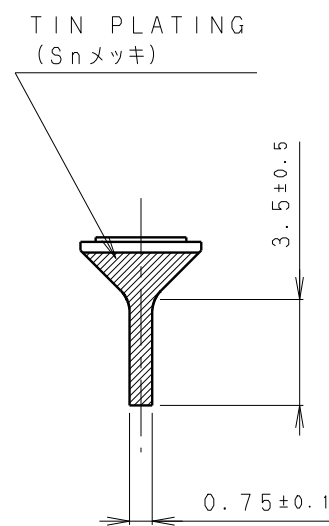
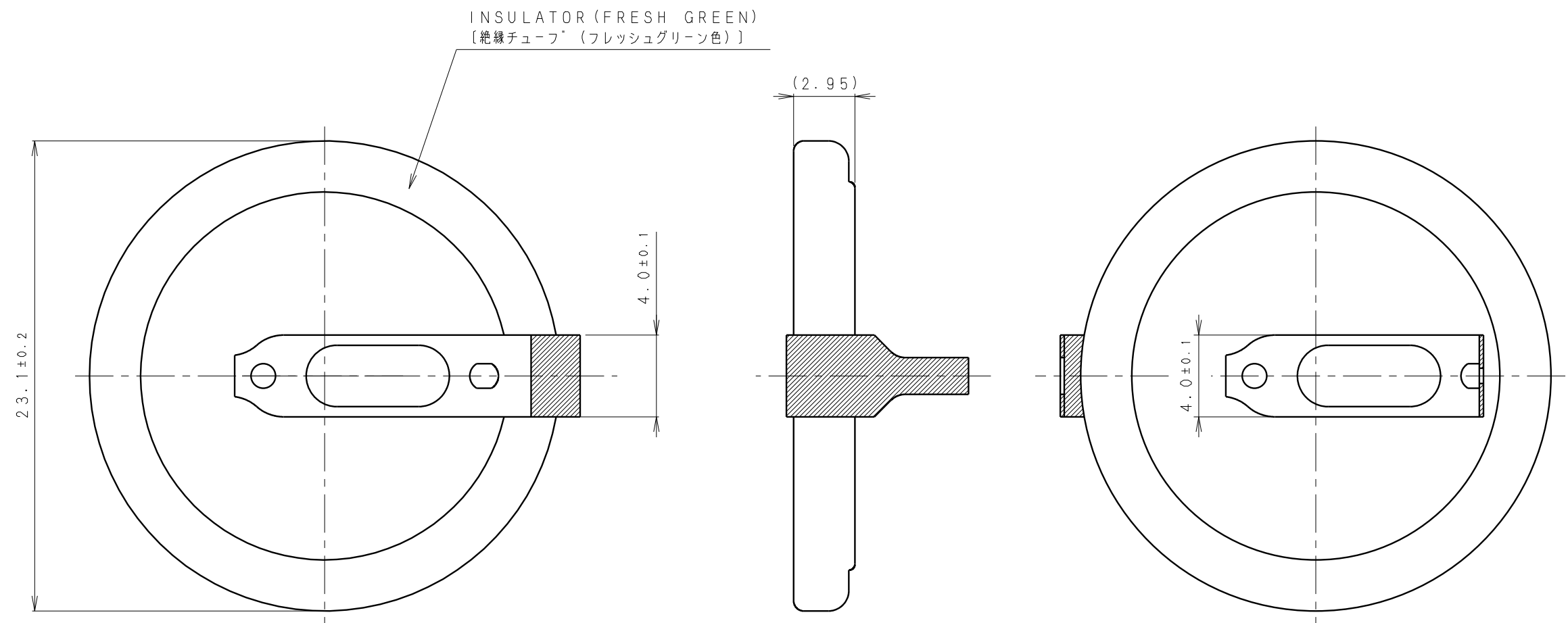
INSULATOR (FRESH GREEN)
[絶縁シール (フレッシュグリーン色)]



* NOTE [注記]

1. TAB PULLING STRENGTH OVER 19.6N [端子溶接強度: 19.6N以上]
2. TAB MATERIAL: STAINLESS STEEL WITH TIN PLATING [端子材料: 基材 ステンレス/表面 部分Snメッキ]
3. (): REFERENCE DIMENSION AND ANGLE [() 寸法、角度は参考値]

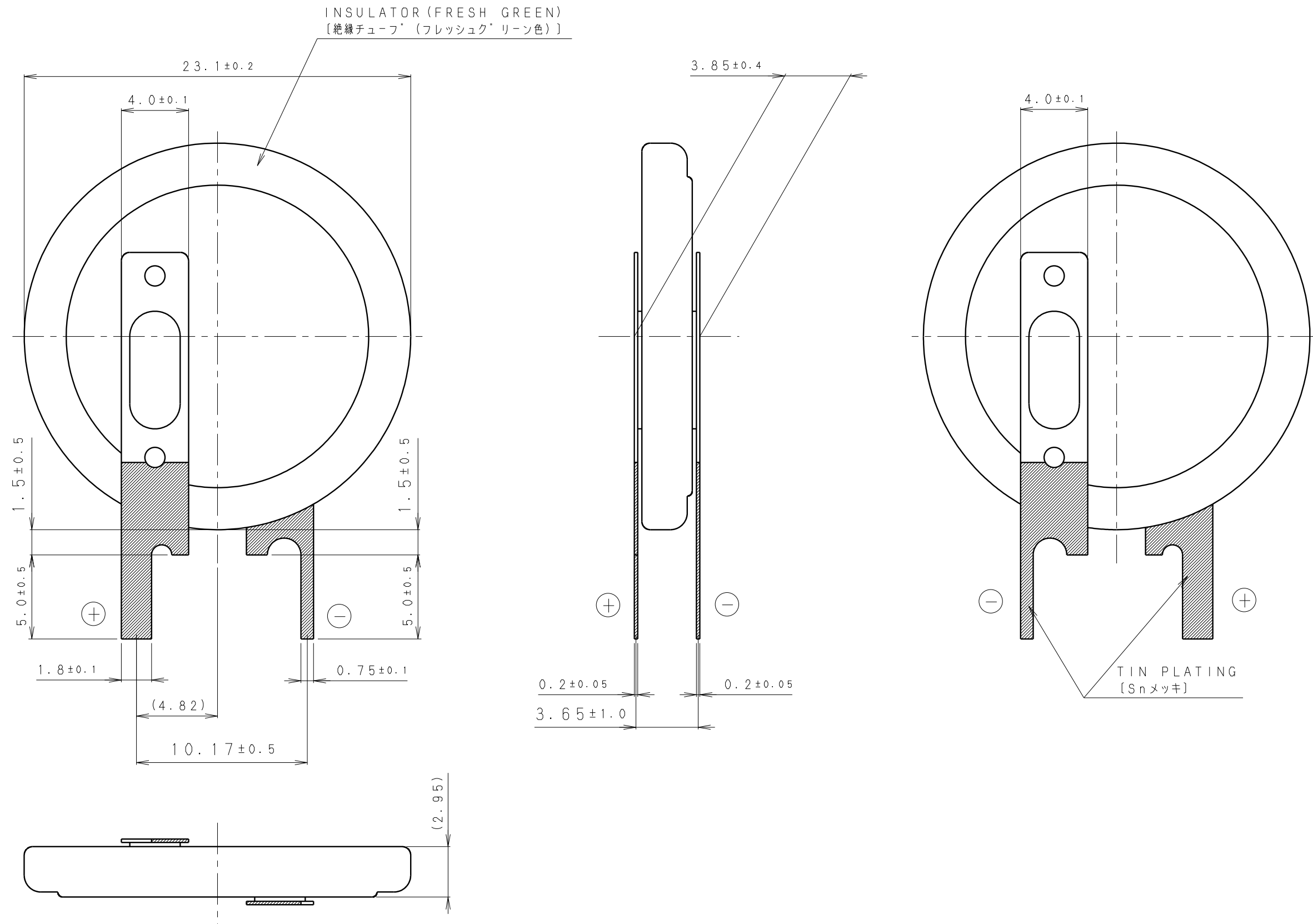
PRODUCT NO.	BR-2330A/GCN	SCALE	
		4:1	
DRAWING NO.	QKGB1Z	REV.	UNIT:mm
		0	



* NOTE [注記]

1. TAB PULLING STRENGTH OVER 19.6N [端子溶接強度: 19.6N以上]
2. TAB MATERIAL: STAINLESS STEEL WITH TIN PLATING [端子材料: 基材 ステンレス/表面 部分Snメッキ]
3. (): REFERENCE DIMENSION AND ANGLE [() 寸法、角度は参考値]

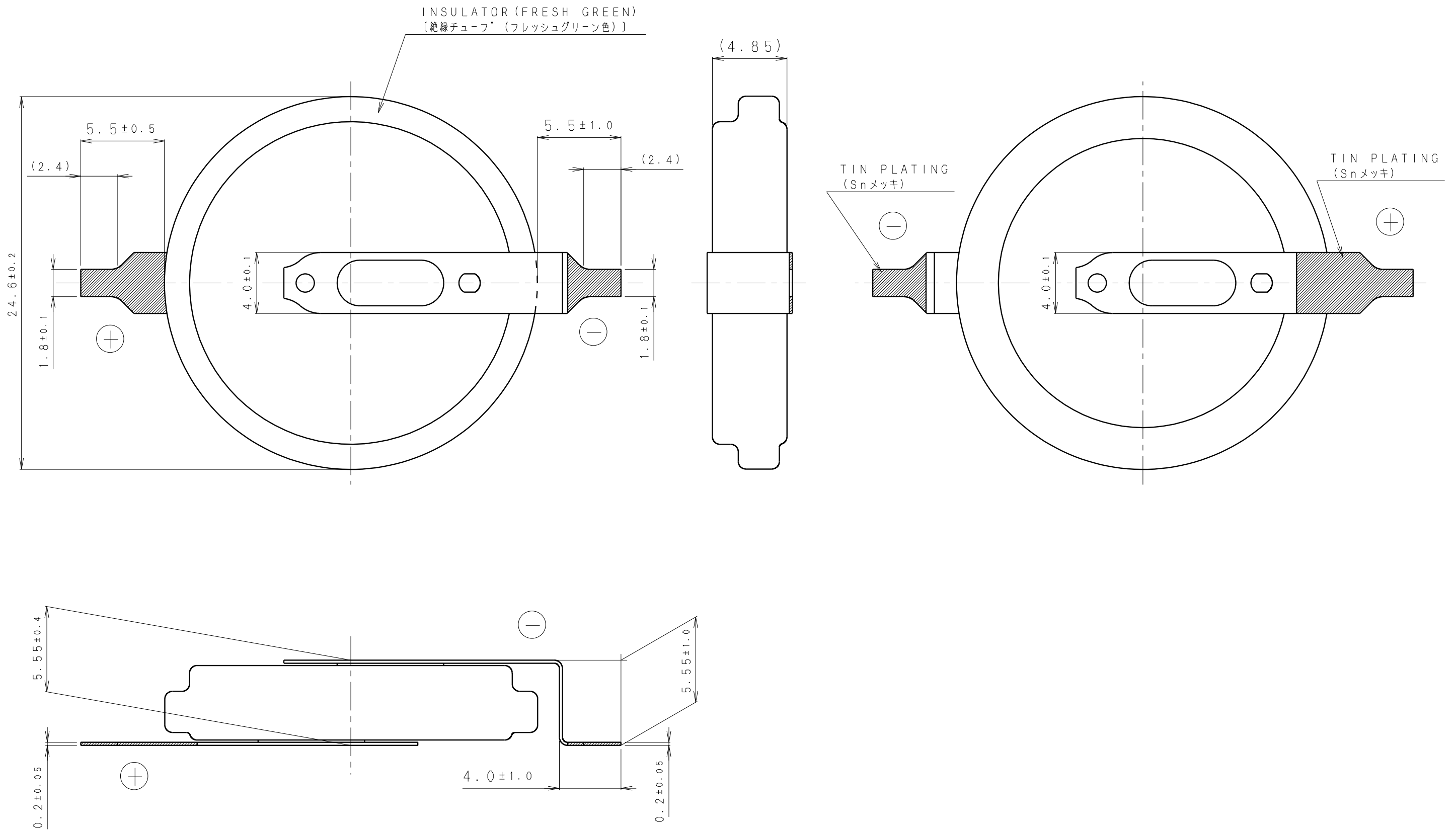
PRODUCT NO.	BR-2330A/HDN	SCALE	4:1
		DRAWING NO.	QKHC1Z
		REV.	0
		UNIT: mm	



* NOTE [注記]

1. TAB PULLING STRENGTH OVER 19.6N [端子溶接強度:19.6N以上]
2. TAB MATERIAL:STAINLESS STEEL WITH TIN PLATING
[端子材料:基材 ステンレス/表面 部分Snメッキ]
3. ():REFERENCE DIMENSION AND ANGLE [()寸法、角度は参考値]

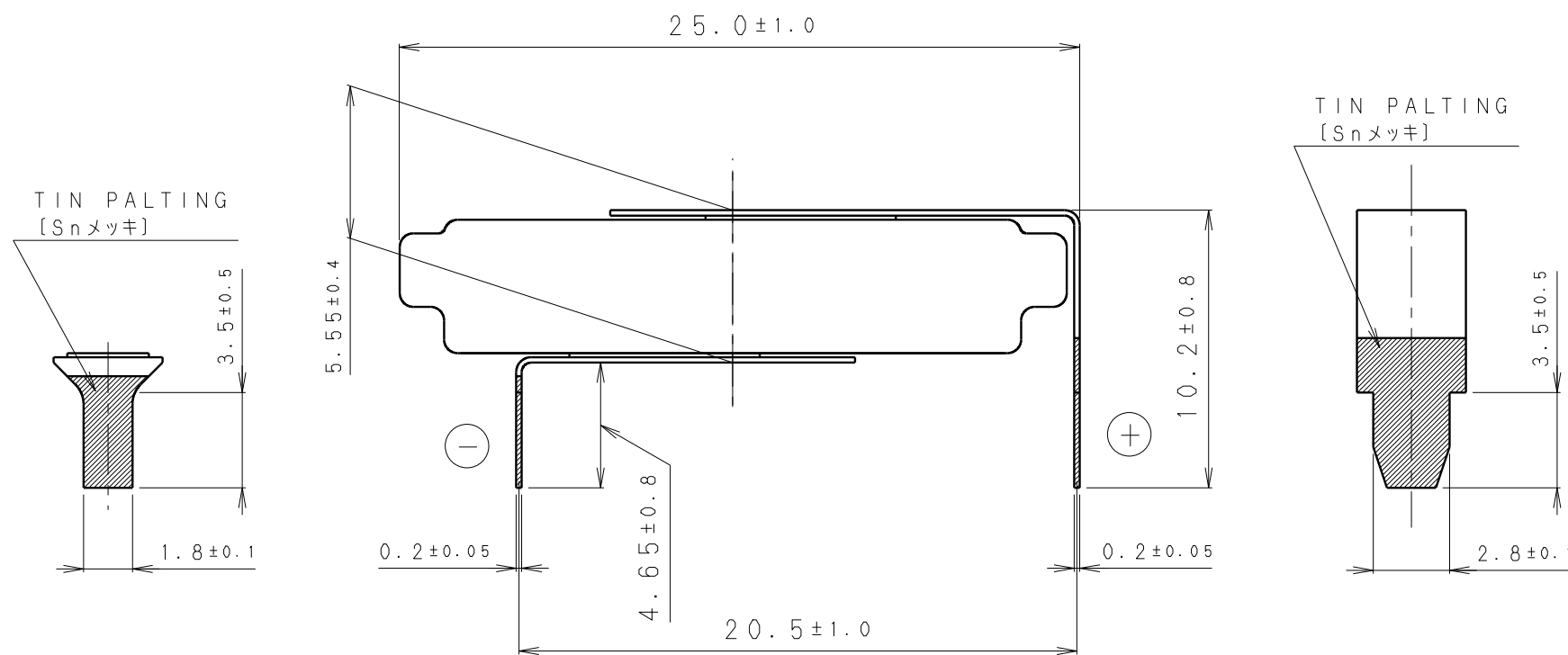
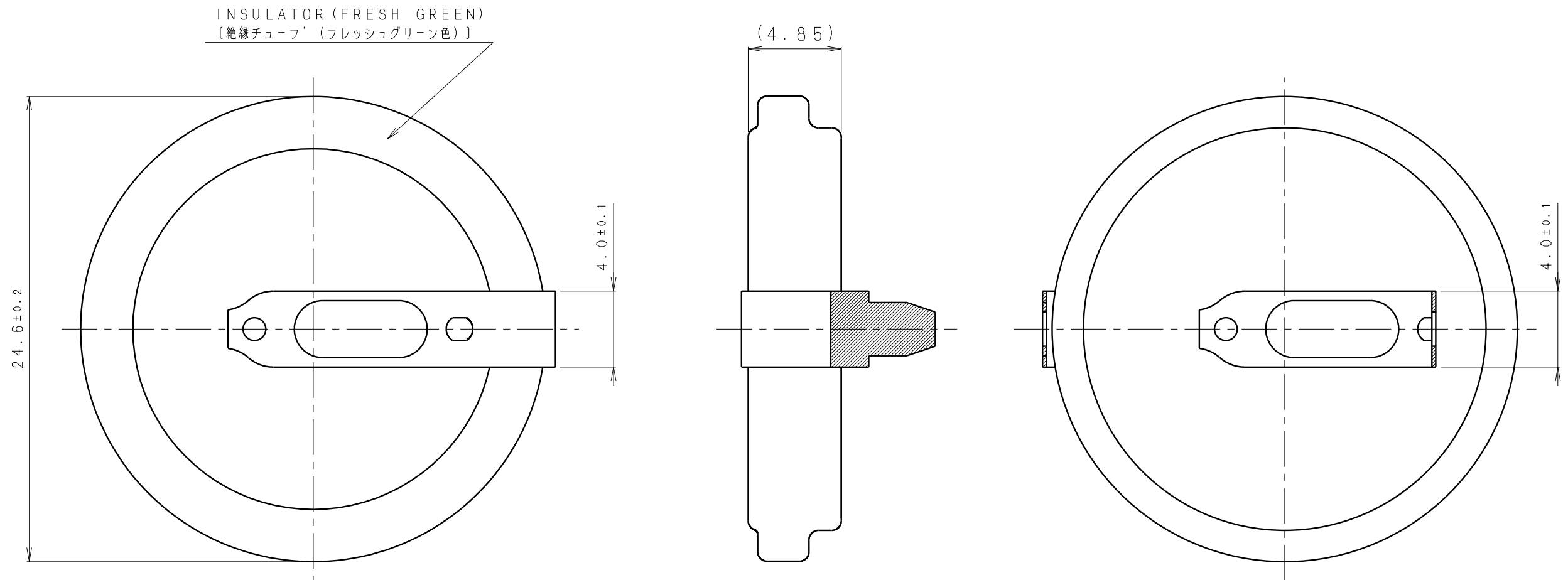
PRODUCT NO.	BR-2330A/VAN	SCALE	4:1
DRAWING NO.	QKVB1Z	REV.	0
			UNIT:mm



* NOTE [注記]

1. TAB PULLING STRENGTH OVER 19.6N [端子溶接強度: 19.6N以上]
2. TAB MATERIAL: STAINLESS STEEL WITH TIN PLATING [端子材料: 基材 ステンレス/表面 部分Snメッキ]
3. (): REFERENCE DIMENSION AND ANGLE [() 寸法、角度は参考値]

PRODUCT NO.	BR-2450A/FAN	SCALE	4:1
DRAWING NO.	RUFA6Z	REV.	0
			UNIT:mm

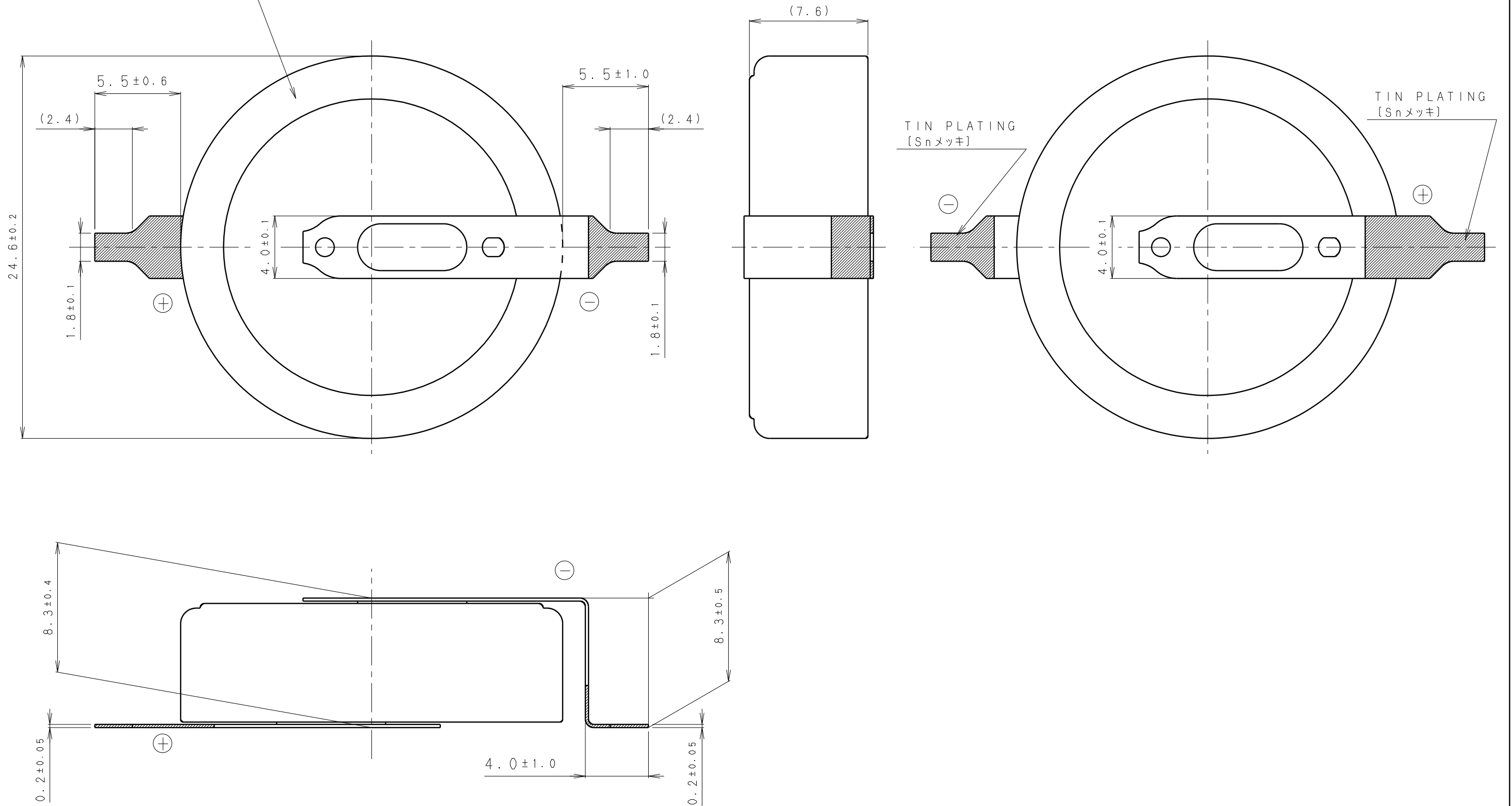


* NOTE [注記]

1. TAB PULLING STRENGTH OVER 19.6N [端子溶接強度: 19.6N以上]
2. TAB MATERIAL: STAINLESS STEEL WITH TIN PLATING [端子材料: 基材 ステンレス/表面 部分Snメッキ]
3. (): REFERENCE DIMENSION AND ANGLE [() 寸法、角度は参考値]

PRODUCT NO.	BR-2450A/HAN	SCALE	4:1
DRAWING NO.	RUHA1Z	REV.	0
			UNIT:mm

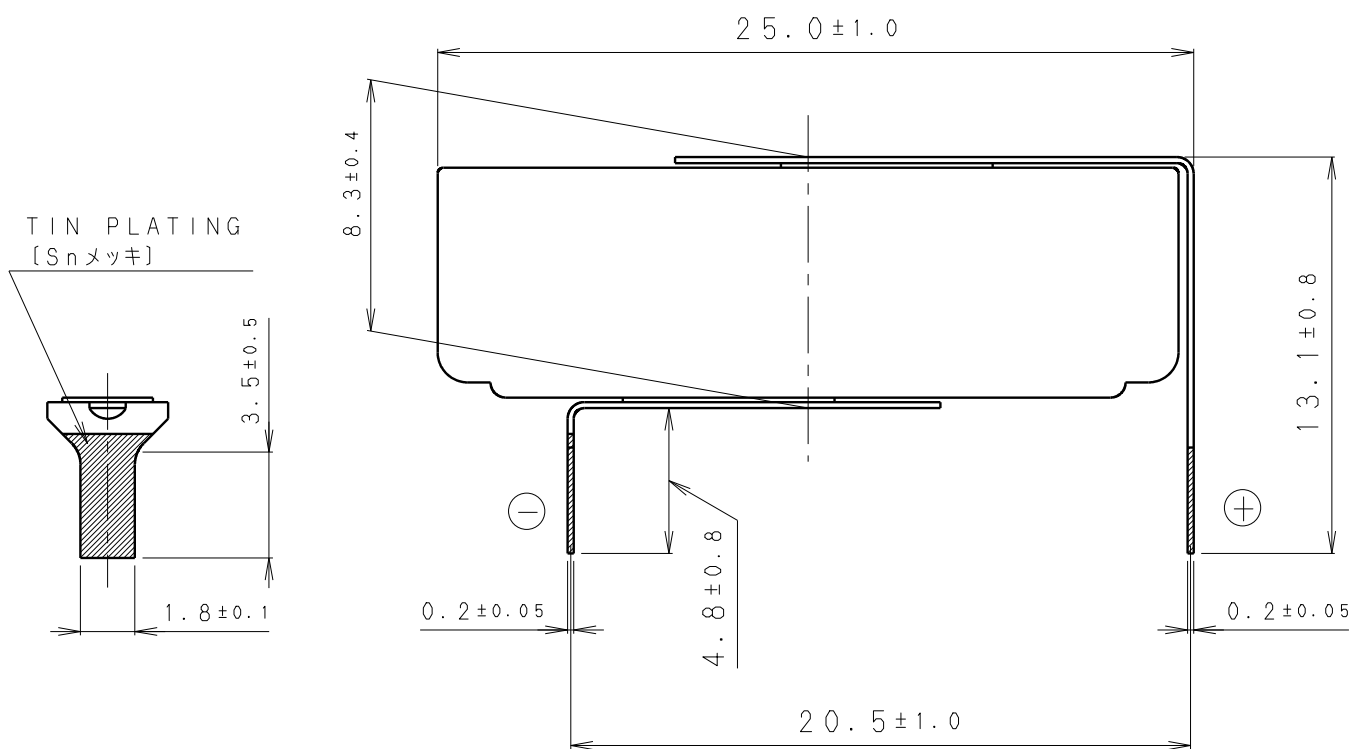
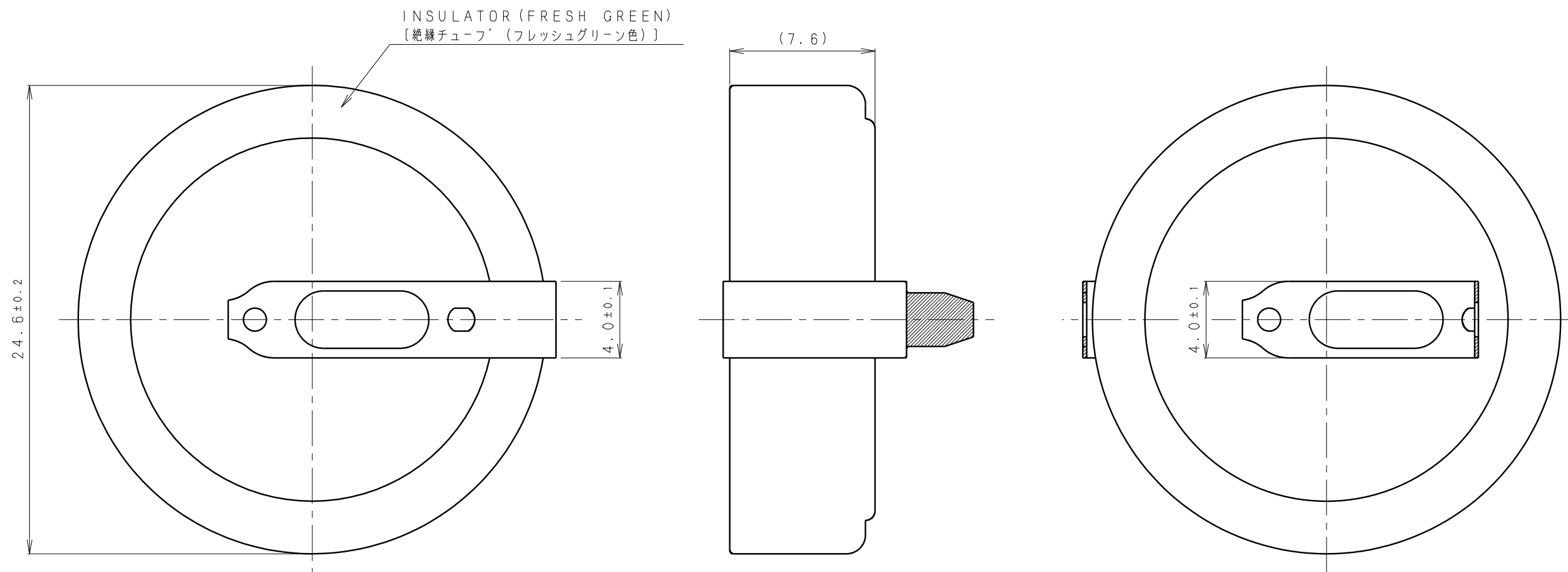
INSULATOR (FRESH GREEN)
 [絶縁チューブ (フレッシュグリーン色)]



* NOTE [注記]

1. TAB PULLING STRENGTH OVER 19.6N [端子溶接強度: 19.6N以上]
2. TAB MATERIAL: STAINLESS STEEL WITH TIN PLATING [端子材料: 基材 ステンレス/表面 部分Snメッキ]
3. (): REFERENCE DIMENSION AND ANGLE [() 寸法、角度は参考値]

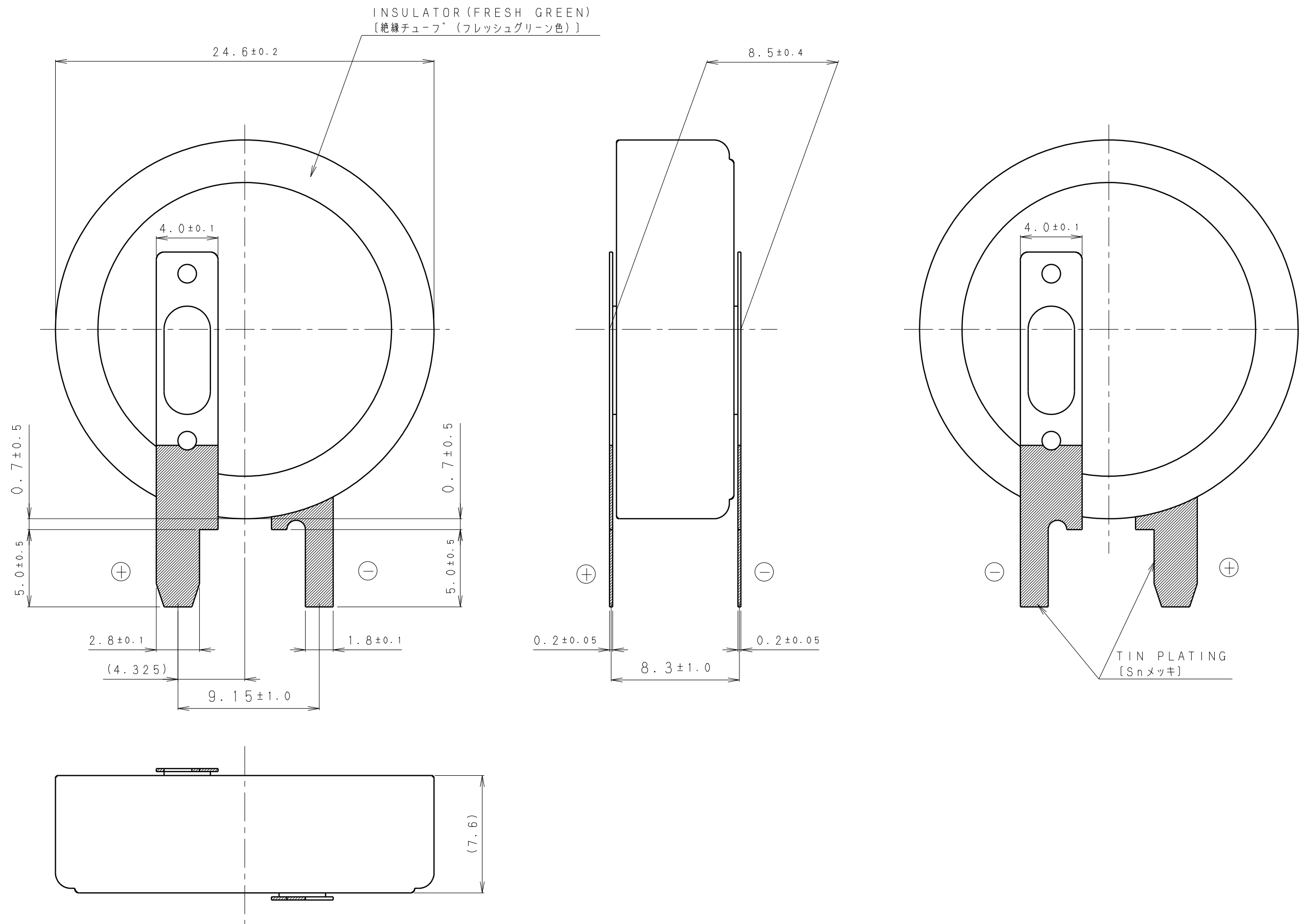
PRODUCT NO.	BR-2477A/FBN	SCALE	4:1
DRAWING NO.	RXFA6Z	REV.	0
			UNIT:mm



* NOTE [注記]

1. TAB PULLING STRENGTH OVER 19.6N [端子溶接強度: 19.6N以上]
2. TAB MATERIAL: STAINLESS STEEL WITH TIN PLATING [端子材料: 基材 ステンレス/表面 部分Snメッキ]
3. (): REFERENCE DIMENSION AND ANGLE [() 寸法、角度は参考値]

PRODUCT NO.	BR-2477A/HBN	SCALE	4:1
DRAWING NO.	RXHA1Z	REV.	0
			UNIT: mm



* NOTE [注記]

1. TAB PULLING STRENGTH OVER 19.6N [端子溶接強度: 19.6N以上]
2. TAB MATERIAL: STAINLESS STEEL WITH TIN PLATING [端子材料: 基材 ステンレス/表面 部分Snメッキ]
3. (): REFERENCE DIMENSION AND ANGLE [() 寸法、角度は参考値]

PRODUCT NO.	BR-2477A/VAN	SCALE	4:1
DRAWING NO.	RXVA1Z	REV.	0
			UNIT:mm