

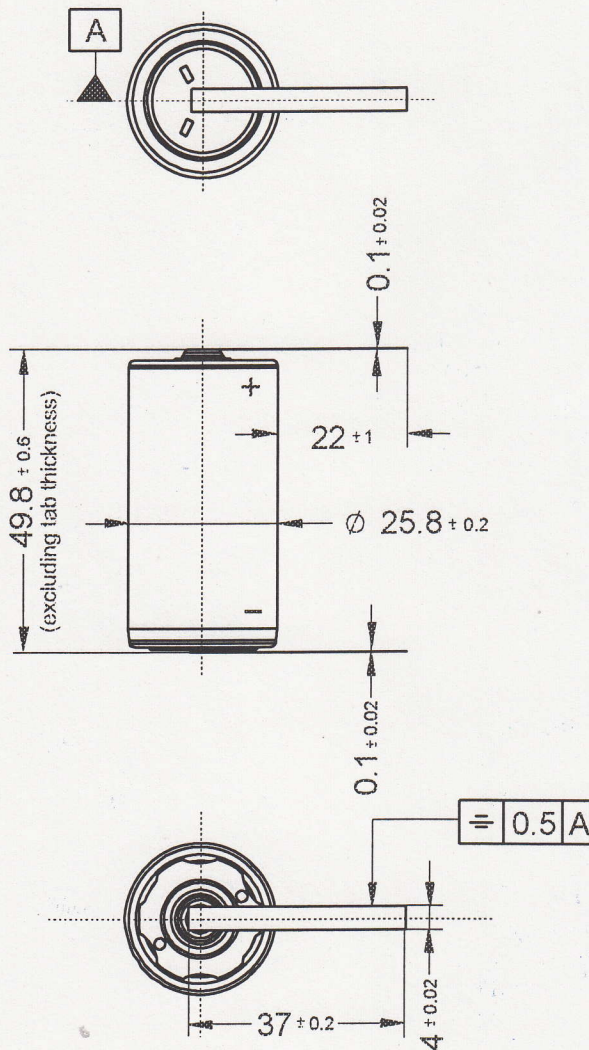


# LSH 14 CNR

P/N 03681 L

(dimensions in mm)

5A fused version with 2 rectangular nickel radial tabs



# LSH 14