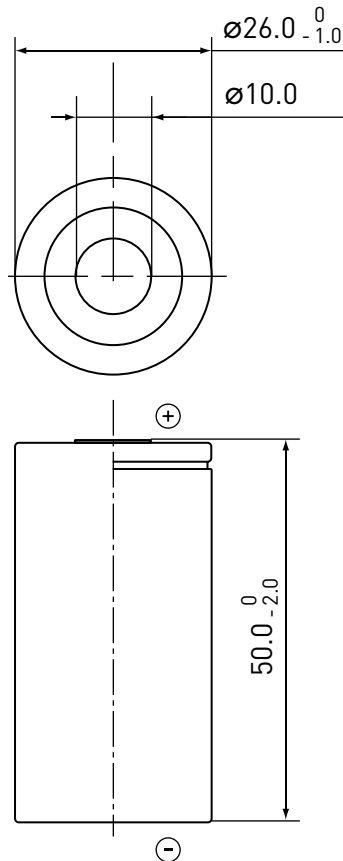


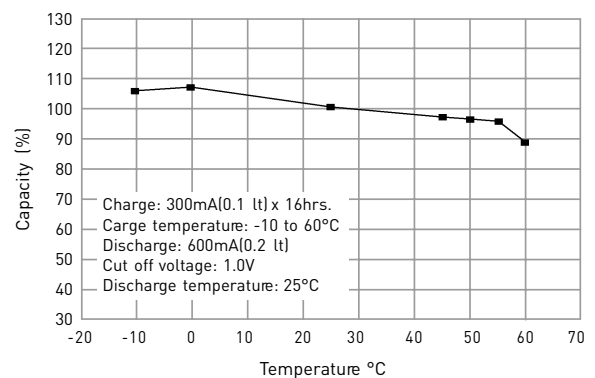
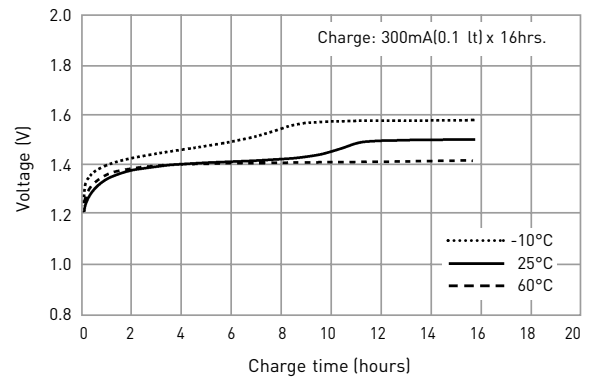
HHR-300CH/FT

DIMENSIONS (MM)



CYLINDRICAL C SIZE (HR26/50) FOR BACK-UP USE

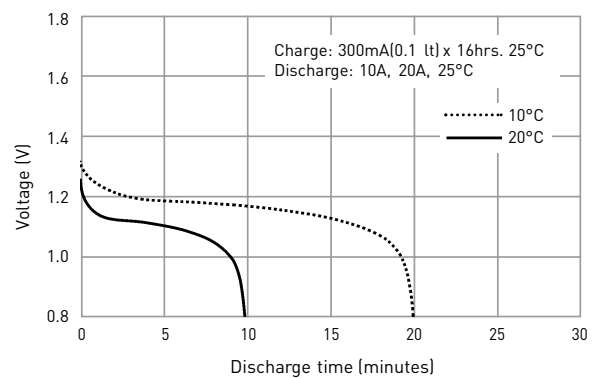
TYPICAL CHARGE CHARACTERISTICS



SPECIFICATIONS

Name		HHR-300CH/FT	
Diameter (mm)		26.0 +0/-1.0	
Height (mm)		50.0 +0/-2.0	
Approximate weight (g)		80	
Nominal voltage (V)		1.2	
Discharge capacity*1	Average*2 (mAh)	3,300	
	Rated/min. (mAh)	3,100	
Approx. internal impedance at 1,000Hz at charged state (mΩ)		5	
Charge	Standard (mA x hrs.)	300 x 16	
	Rapid*3 (mA x hrs.)	1,500 x 2.4	
	Low rate (mA x hrs.)	150 x 32	
		100 x 48	
Ambient temperature	Charge (°C)	Standard	-10 to +60
		Rapid	-10 to +45
		Low rate	-10 to +45
Ambient temperature	Discharge (°C)	Standard	-10 to +60
		Rapid	-10 to +45
		Low rate	-10 to +45
Ambient temperature	Storage (°C)	<1 year	-20 to +35
		<6 months	-20 to +45
		<1 month	-20 to +55
		<1 week	-20 to +65

TYPICAL DISCHARGE CHARACTERISTICS



*1 After charging at 0.1It for 16 hours, discharging at 0.2It.

*2 For reference only.

*3 Need specially designed control system. Please contact Panasonic for details.