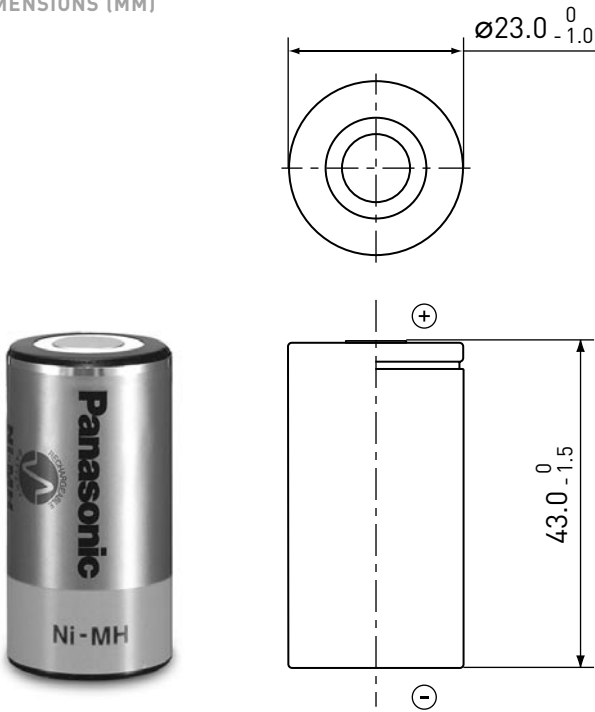


HHR-250SCH/FT CYLINDRICAL SC SIZE (HR23/43) FOR BACK-UP USE

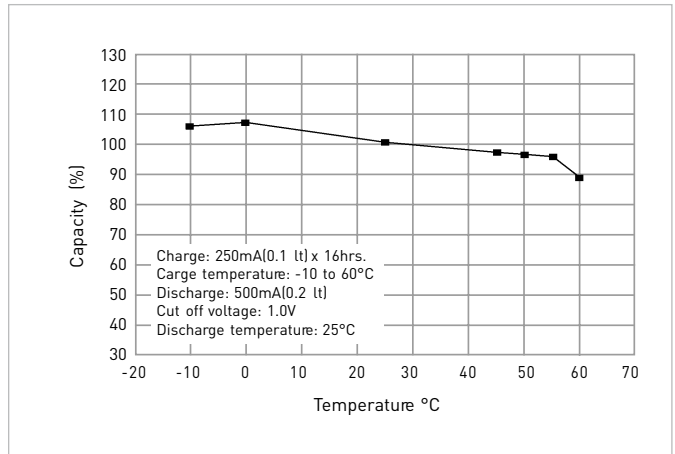
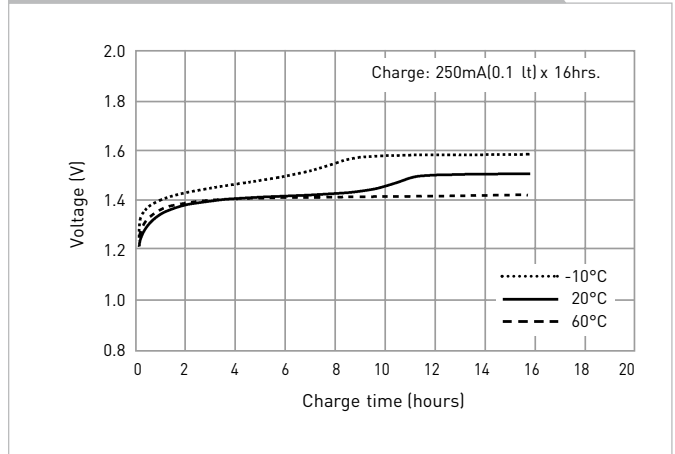
DIMENSIONS (MM)



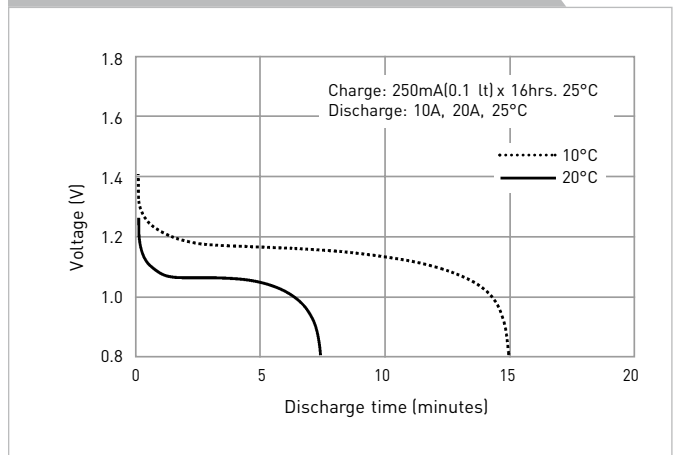
SPECIFICATIONS

Name		HHR-250SCH/FT	
Diameter (mm)		23.0 +0/-1.0	
Height (mm)		43.0 +0/-1.5	
Approximate weight (g)		55	
Nominal voltage (V)		1.2	
Discharge capacity*1	Average*2 (mAh)	2,650	
	Rated/min. (mAh)	2,500	
Approx. internal impedance at 1,000Hz at charged state (mΩ)		5	
Charge	Standard (mA x hrs.)	250 x 16	
	Rapid*3 (mA x hrs.)	1,250 x 2.4	
	Low rate (mA x hrs.)		125 x 32
			83 x 48
Ambient temperature	Charge (°C)	Standard	-10 to +60
		Rapid	-10 to +45
		Low rate	-10 to +45
Ambient temperature	Discharge (°C)		-10 to +60
		<1 year	-20 to +35
		<6 months	-20 to +45
Ambient temperature	Storage (°C)	<1 month	-20 to +55
		<1 week	-20 to +65

TYPICAL CHARGE CHARACTERISTICS



TYPICAL DISCHARGE CHARACTERISTICS



*1 After charging at 0.1It for 16 hours, discharging at 0.2It.
 *2 For reference only.
 *3 Need specially designed control system. Please contact Panasonic for details.