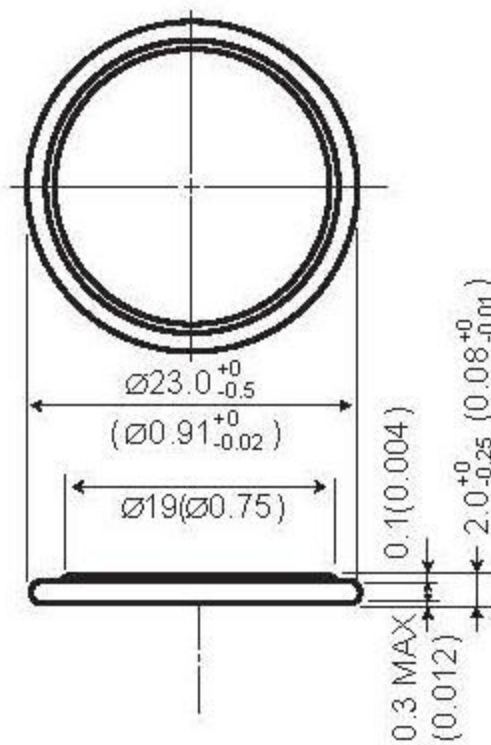


VL2320

■ Dimensions(mm)



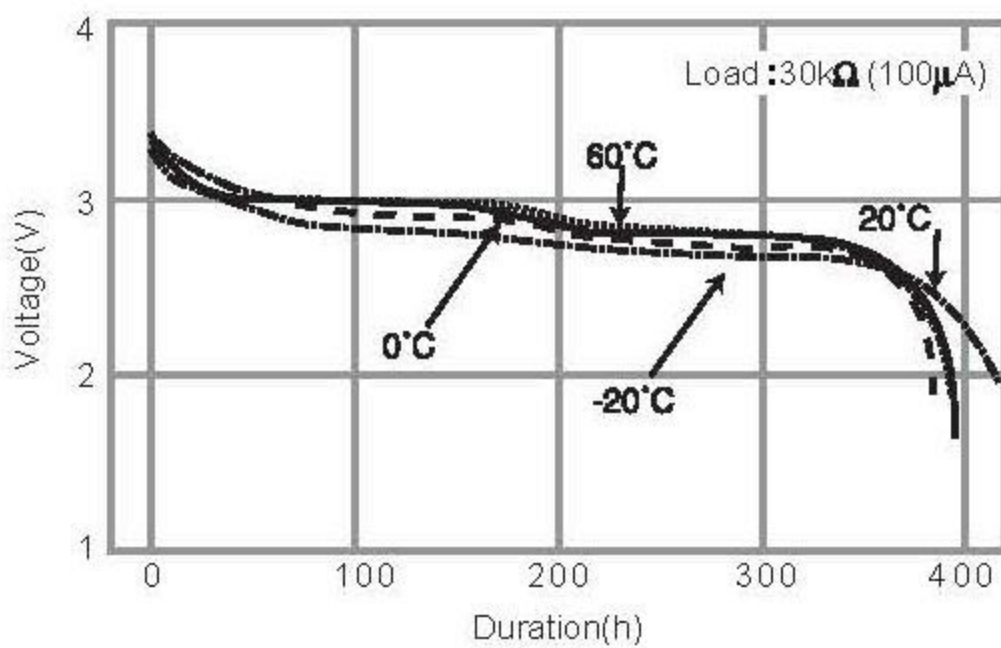
Weight:2.7g

Note: This bare cell diagram is for size reference only. Please refer to the tab configurations at the end of this section for available tabs.

■ Specification

Nominal voltage (V)	3
Nominal capacity (mAh)	30.0
Continuous standard load (mA)	0.1
Operating temperature (C)	-20 ~ +60

■ Discharge Temperature Characteristics



■ Consumption current vs. Duration time

