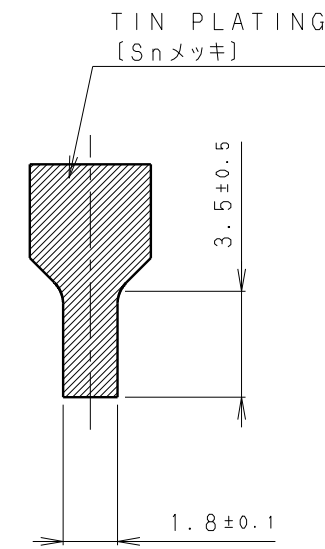
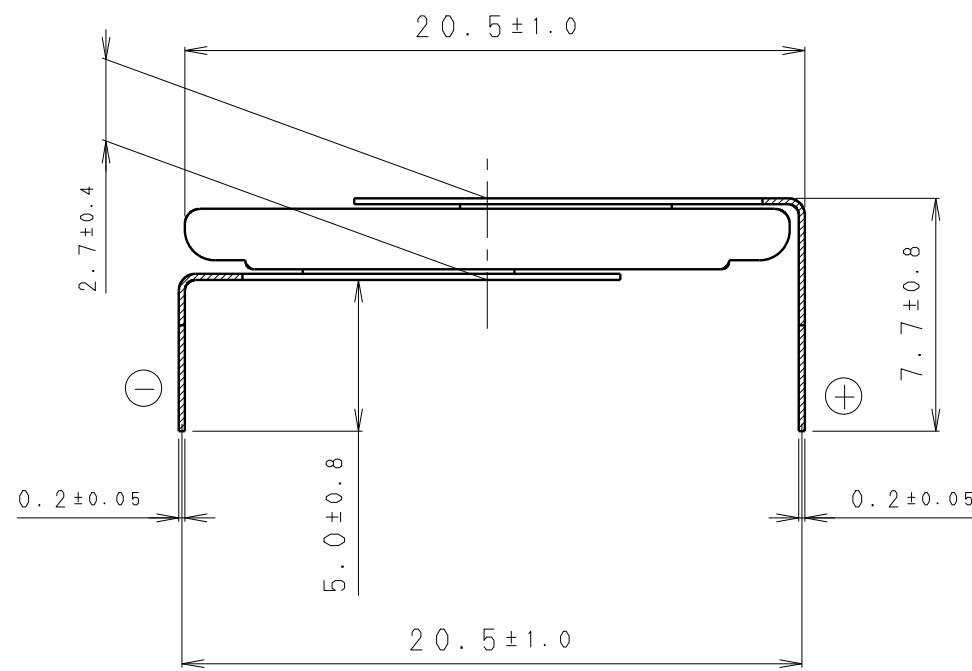
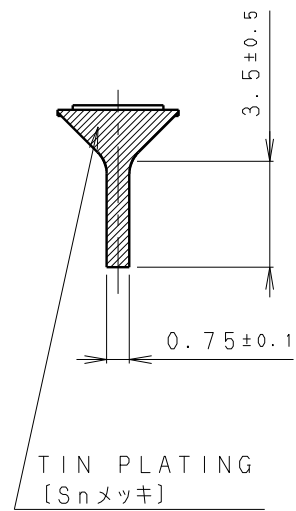
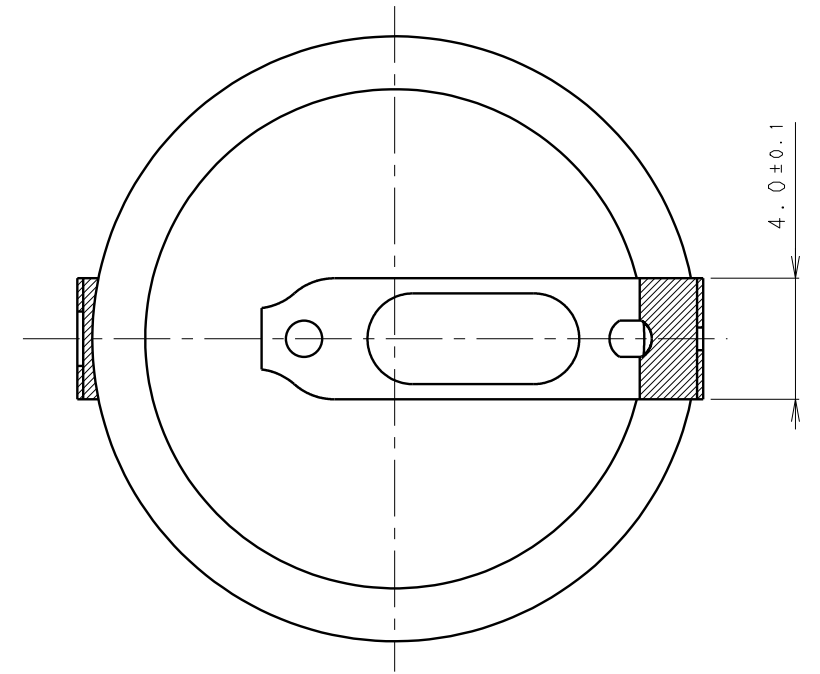
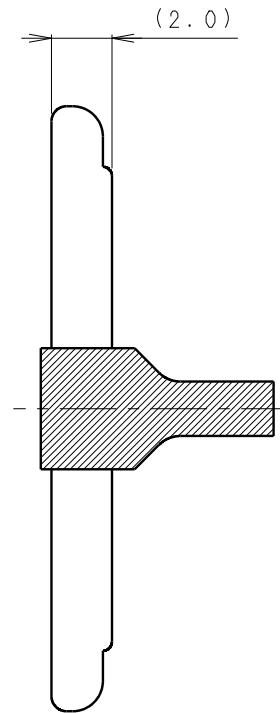
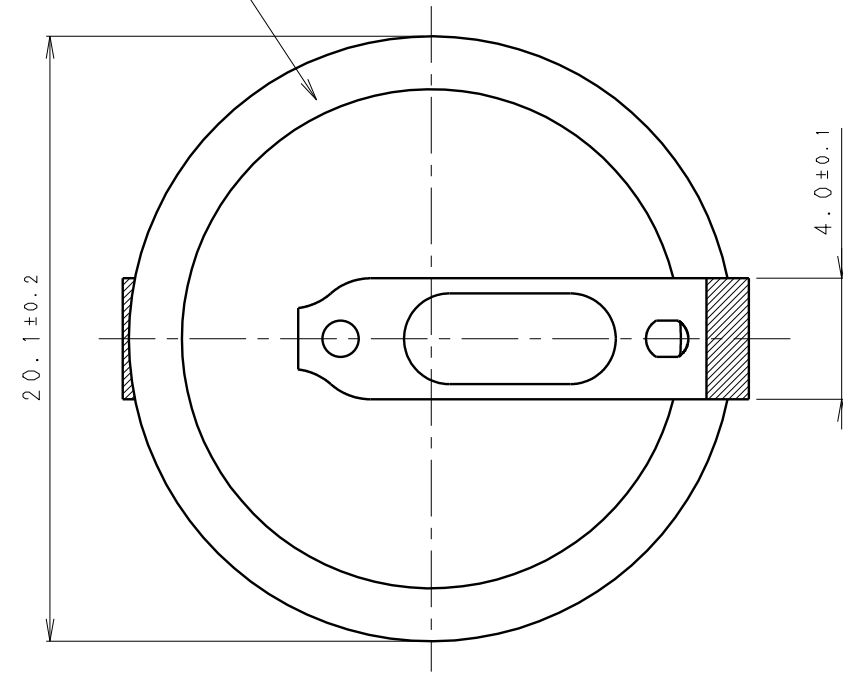


INSULATOR (BROWN)
[絶縁チューブ* (茶色)]



*NOTE [注記]

- TAB PULLING STRENGTH OVER 19.6N [端子溶接強度: 19.6N以上]
- TAB MATERIAL: STAINLESS STEEL WITH TIN PLATING
[端子材料: 基材 ステンレス/表面 部分Snメッキ]
- () : REFERENCE DIMENSION AND ANGLE [() 寸法、角度は参考値]

PRODUCT NO.	VL-2020/HFN	SCALE	4:1
		DRAWING NO.	PEHA1Z
		REV.	0
		UNIT: mm	