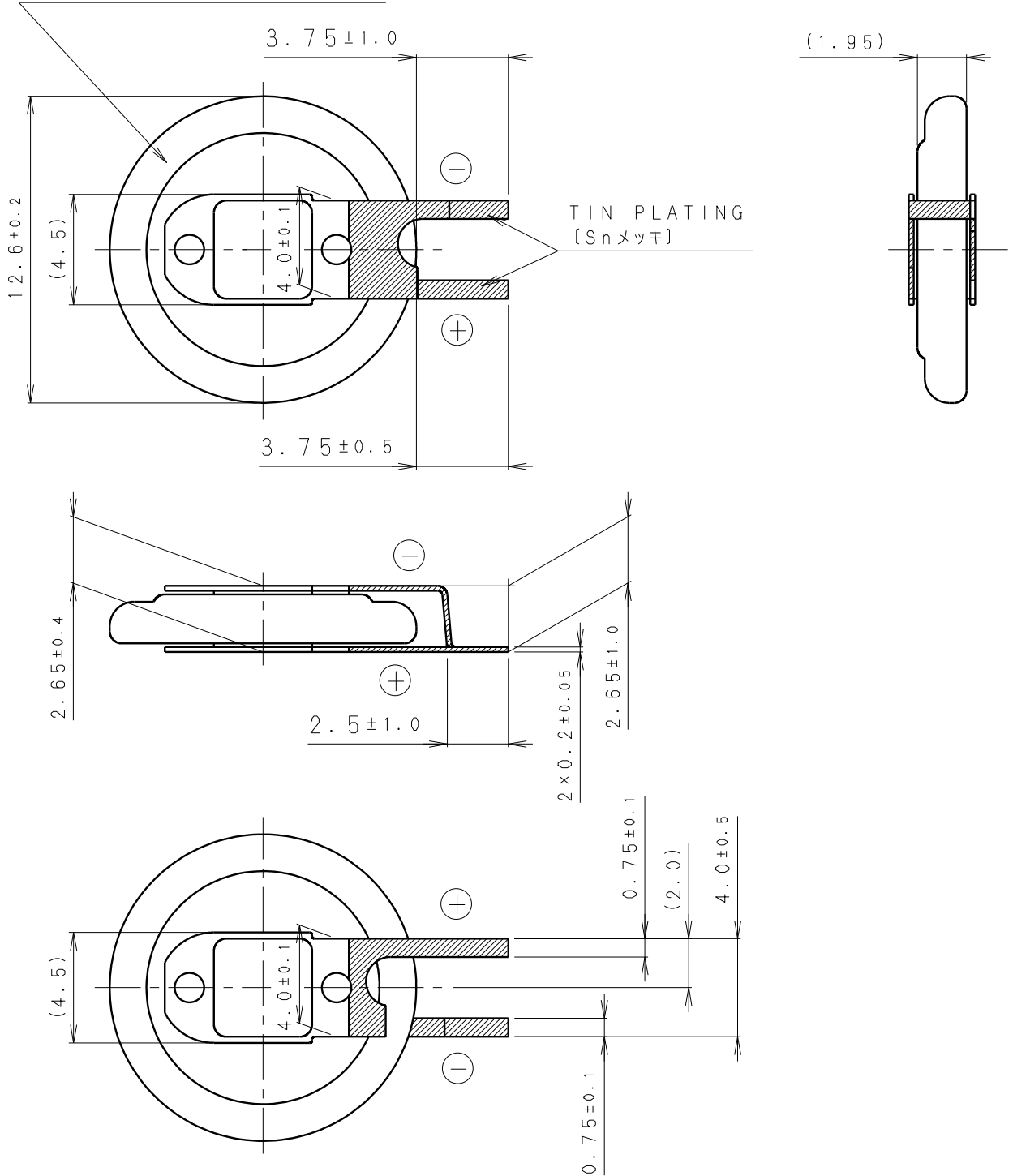


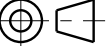


INSULATOR (BROWN)  
[絶縁チューブ (茶色)]



\* NOTE [注記]

- TAB PULLING STRENGTH OVER 19.6N  
[端子溶接強度: 19.6N以上]
- TAB MATERIAL: STAINLESS STEEL WITH TIN PLATING   
[端子材料: 基材 ステンレス/表面 部分Snメッキ 
- ( ): REFERENCE DIMENSION AND ANGLE  
[ ( ) 寸法、角度は参考値]

PRODUCT NO.	VL-1220/FCN	SCALE	
		4:1	
DRAWING NO.	JEFA6Z	REV.	
		0	