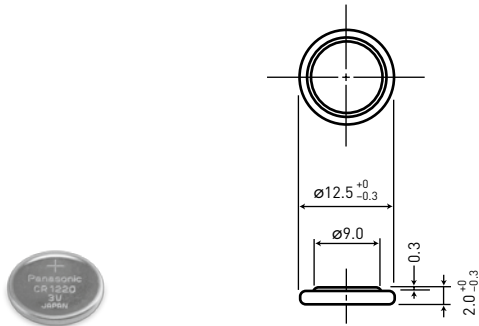


2 MANGANESE DIOXIDE LITHIUM BATTERIES (CR SERIES)

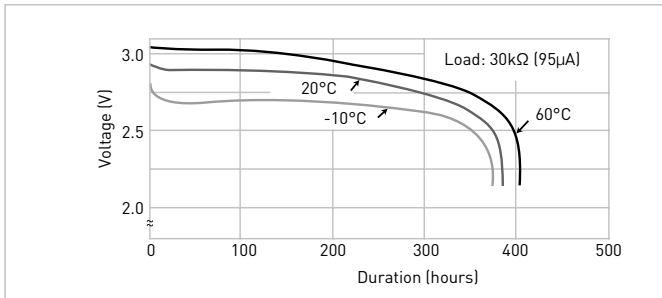
CR-1220

DIMENSIONS (MM)

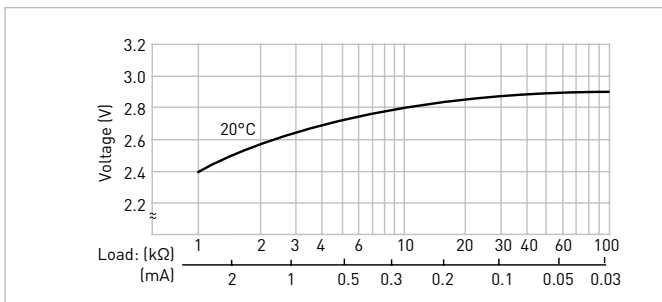


| Model number | CR-1220 |
|------------------------------------|------------|
| Nominal voltage (V) | 3 |
| Nominal capacity (mAh) | 35 |
| Diameter (mm) | 12.5 |
| Total height (mm) | 2.0 |
| Discharging temperature range (°C) | -30 to +60 |
| Weight (g) | 1.2 |

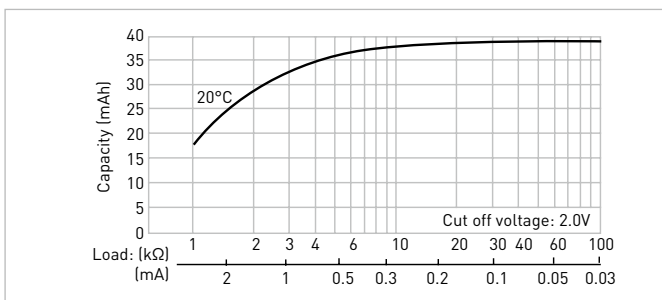
DISCHARGE TEMPERATURE CHARACTERISTICS



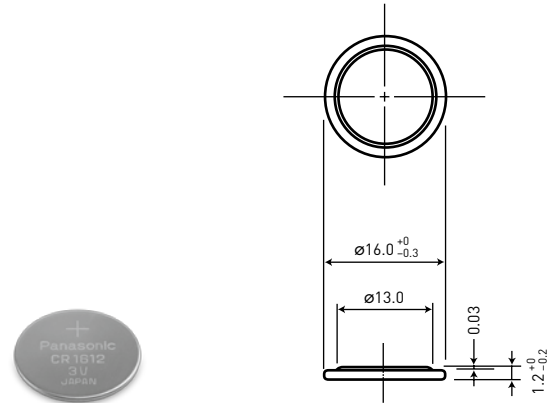
OPERATING VOLTAGE VS. DISCHARGE CURRENT*1



CAPACITY VS. LOAD RESISTANCE

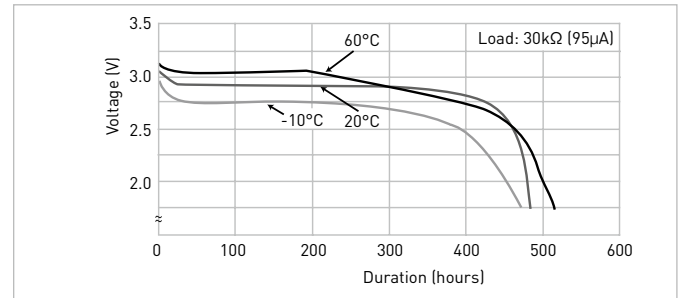


CR-1612

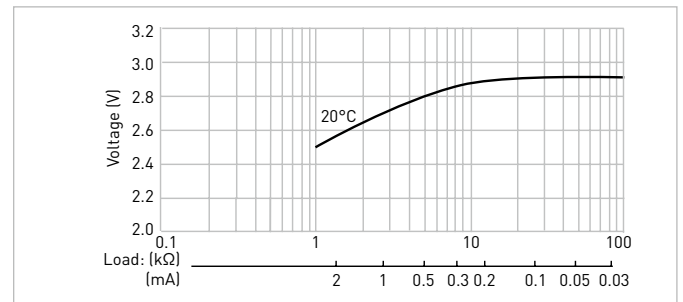


| Model number | CR-1612 |
|------------------------------------|------------|
| Nominal voltage (V) | 3 |
| Nominal capacity (mAh) | 40 |
| Diameter (mm) | 16.0 |
| Total height (mm) | 1.2 |
| Discharging temperature range (°C) | -30 to +60 |
| Weight (g) | 0.8 |

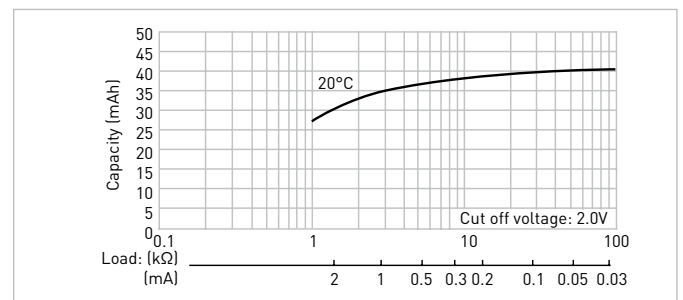
DISCHARGE TEMPERATURE CHARACTERISTICS



OPERATING VOLTAGE VS. DISCHARGE CURRENT*1



CAPACITY VS. LOAD RESISTANCE



The data in this document are for descriptive purposes only and are not intended to make or imply any guarantee or warranty.

*1 Voltage at 50% discharge depth.