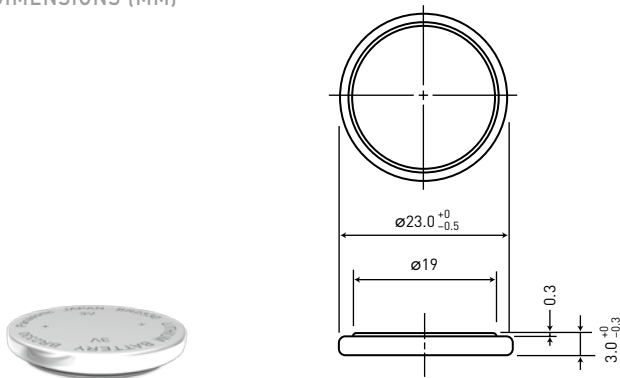


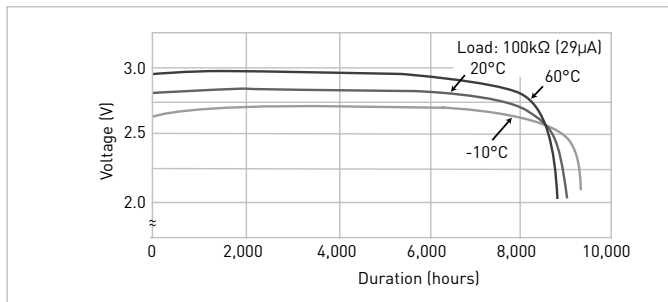
**BR-2330**

**DIMENSIONS (MM)**

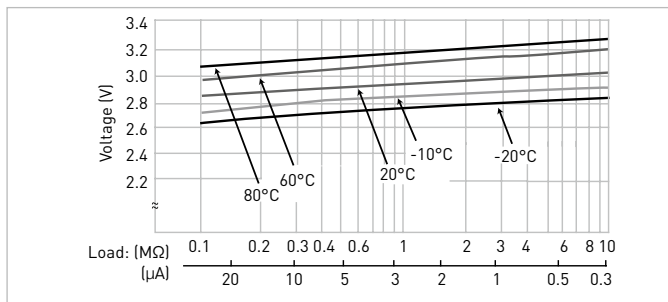


<b>Model number</b>	<b>BR-2330</b>
<b>Nominal voltage (V)</b>	3
<b>Nominal capacity (mAh)</b>	255
<b>Diameter (mm)</b>	23.0
<b>Total height (mm)</b>	3.0
<b>Discharging temperature range (°C)</b>	-30 to +80
<b>Weight (g)</b>	3.2

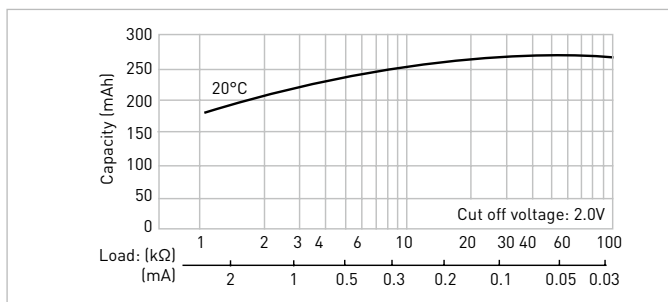
**DISCHARGE TEMPERATURE CHARACTERISTICS**



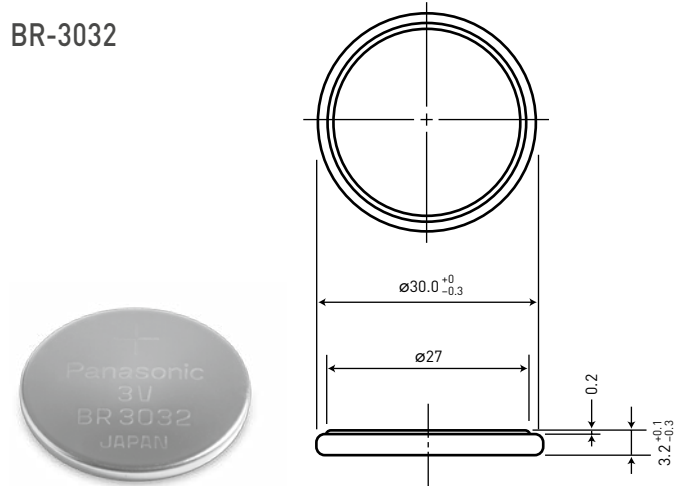
**OPERATING VOLTAGE VS. DISCHARGE CURRENT\*1**



**CAPACITY VS. LOAD RESISTANCE**

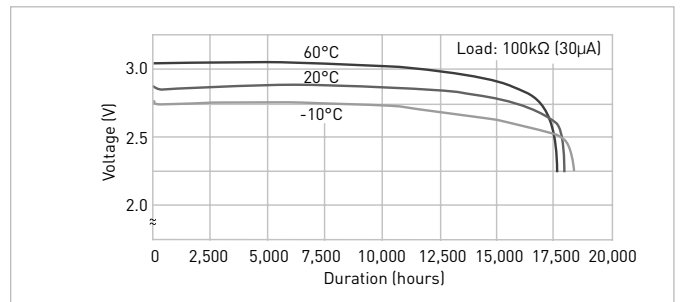


**BR-3032**

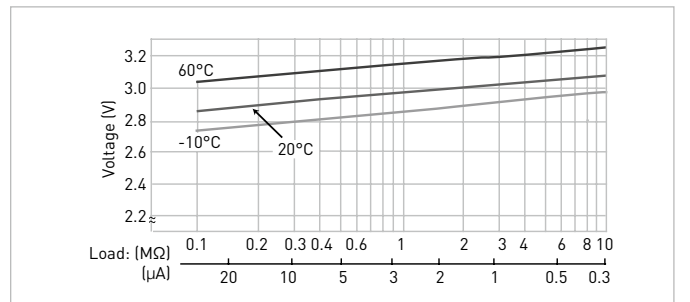


<b>Model number</b>	<b>BR-3032</b>
<b>Nominal voltage (V)</b>	3
<b>Nominal capacity (mAh)</b>	500
<b>Diameter (mm)</b>	30.0
<b>Total height (mm)</b>	3.2
<b>Discharging temperature range (°C)</b>	-30 to +80
<b>Weight (g)</b>	5.5

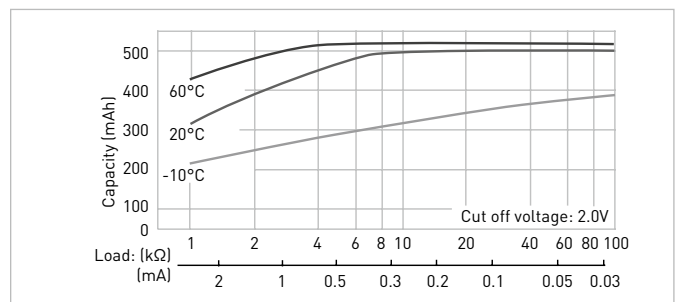
**DISCHARGE TEMPERATURE CHARACTERISTICS**



**OPERATING VOLTAGE VS. DISCHARGE CURRENT\*1**



**CAPACITY VS. LOAD RESISTANCE**



The data in this document are for descriptive purposes only and are not intended to make or imply any guarantee or warranty.  
\*1 Voltage at 50% discharge depth.