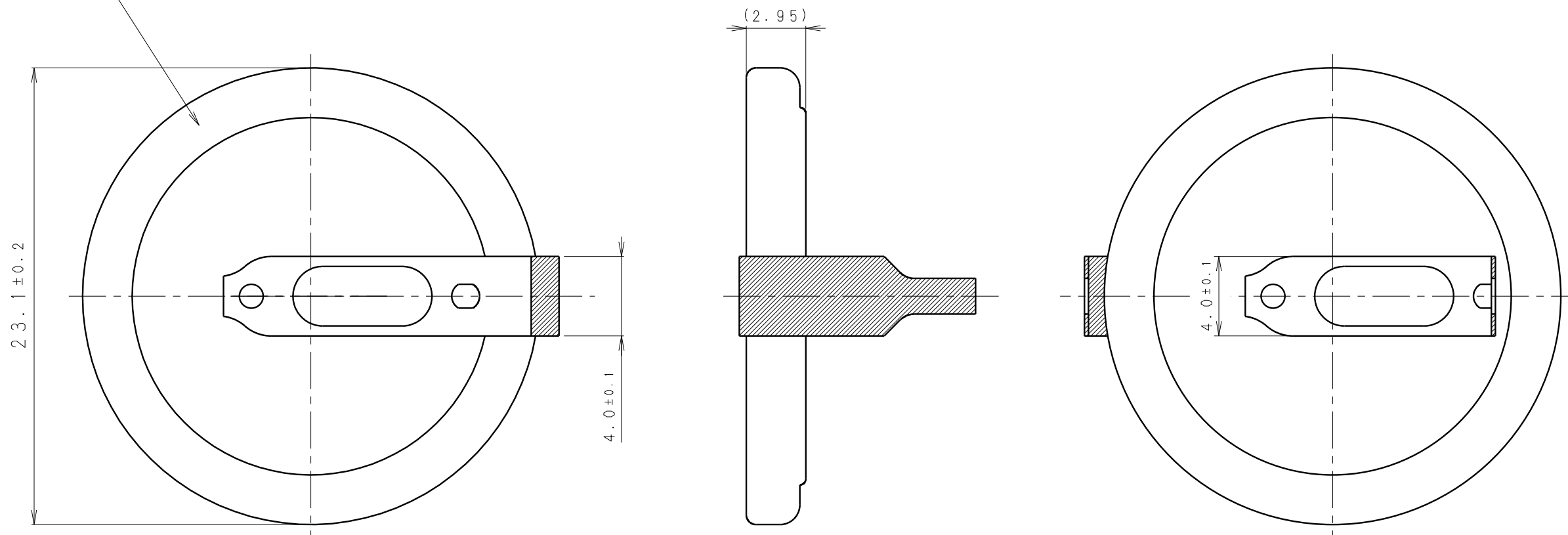
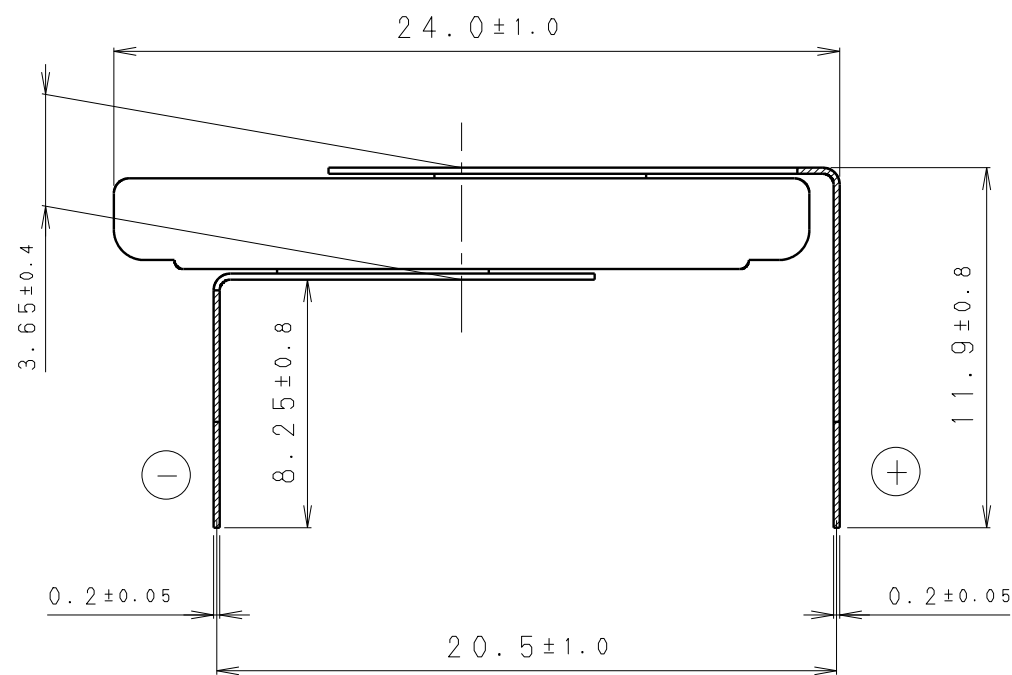
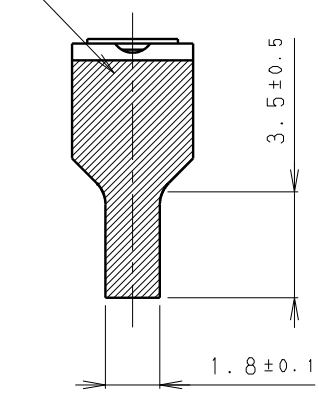


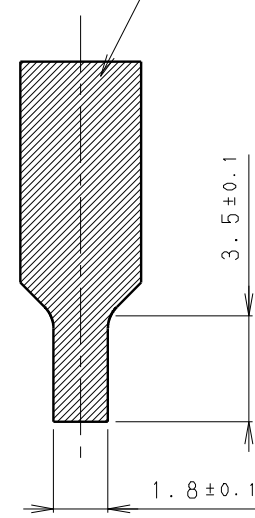
INSULATOR (YELLOW)
 [絶縁チューブ (黄色)]



TIN PLATING
 [Snメッキ]



TIN PLATING
 [Snメッキ]



* NOTE [注記]

1. TAB PULLING STRENGTH OVER 19.6N [端子溶接強度: 19.6N以上]
2. TAB MATERIAL: STAINLESS STEEL WITH TIN PLATING [端子材料: 基材 ステンレス/表面 部分Snメッキ]
3. (): REFERENCE DIMENSION AND ANGLE [() 寸法、角度は参考値]

PRODUCT NO.	BR-2330/1HHN	SCALE	4:1
		DRAWING NO.	QKHF1Z
		REV.	0
		UNIT: mm	