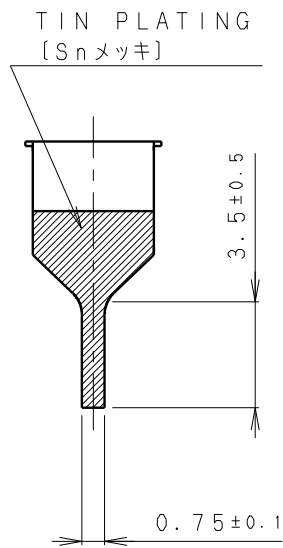
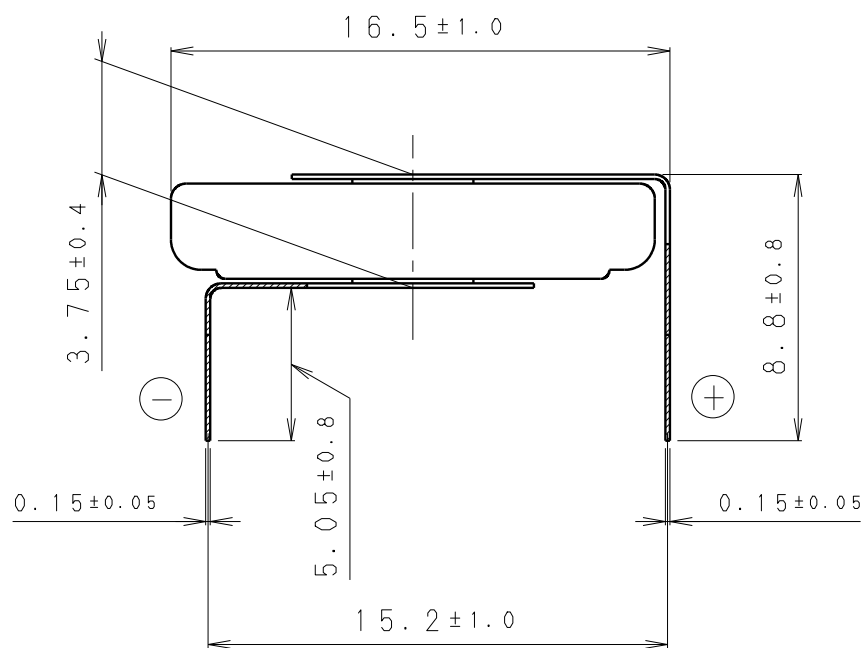
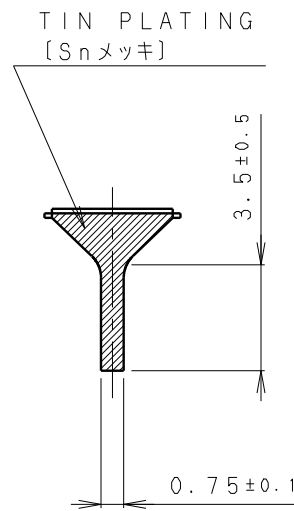
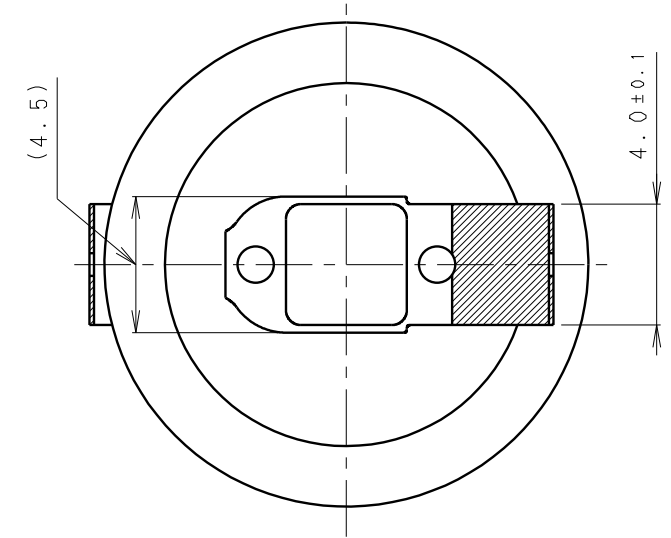
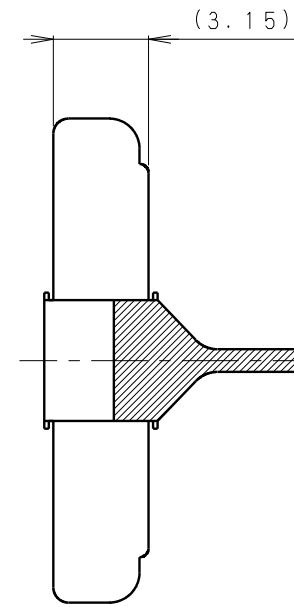
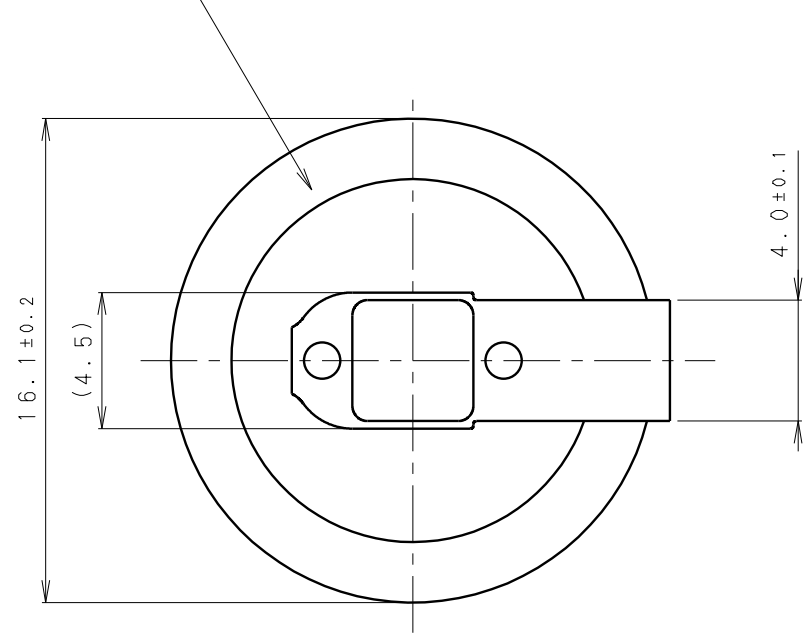


INSULATOR (YELLOW)
 [絶縁チューブ (黄色)]



* NOTE [注記]

- TAB PULLING STRENGTH OVER 14.7N [端子溶接強度: 14.7N以上]
- TAB MATERIAL: STAINLESS STEEL WITH TIN PLATING [端子材料: 基材 ステンレス/表面 部分Snメッキ]
- (): REFERENCE DIMENSION AND ANGLE [() 寸法、角度は参考値]

PRODUCT NO.	BR-1632/HFN	SCALE	4:1
		DRAWING NO.	MMHA1Z
		REV.	0
		UNIT:mm	