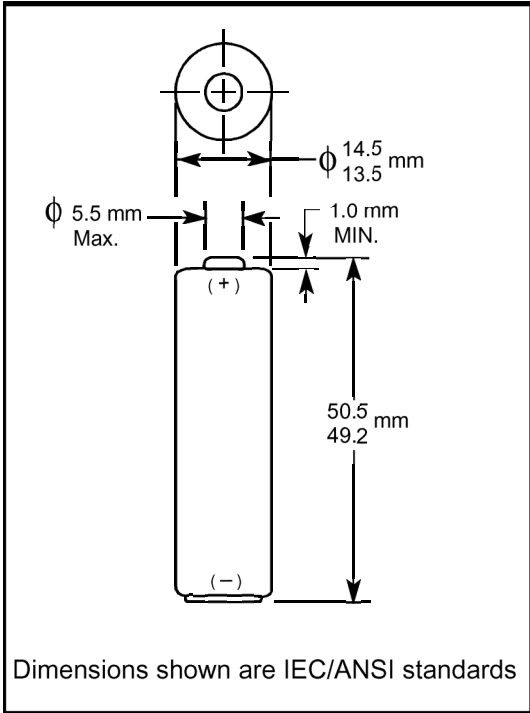




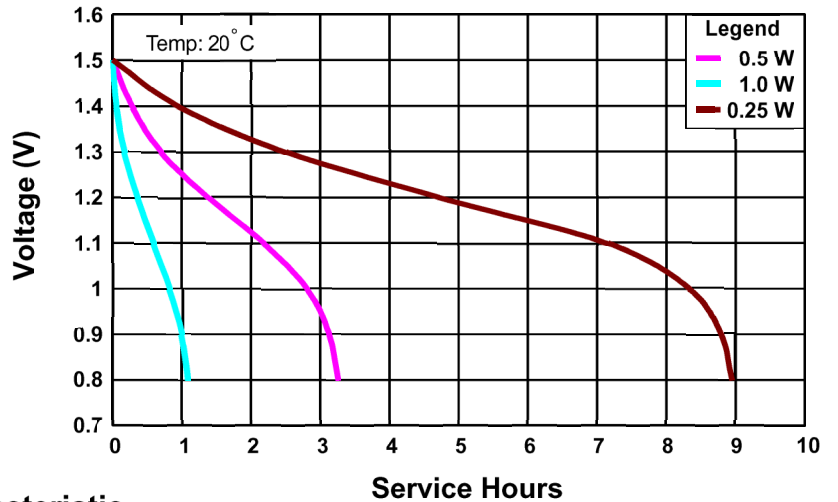
# Size: AA (LR6) Alkaline-Manganese Dioxide Battery

Zn/MnO

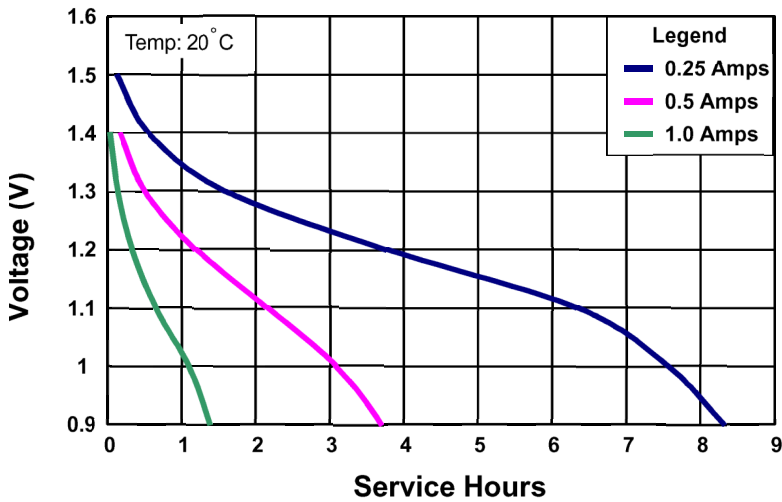


Nominal Voltage:	1.5 V
Nominal Internal Impedance:	81 m-ohm @ 1kHz
Average Weight:	24.4 gm (0.86 oz.)
Volume:	8.4 cm <sup>3</sup> (0.51 in. <sup>3</sup> )
Terminals:	Flat
Operating Temperature Range:	-20°C to 54°C (-4°F to 130°F)
ANSI:	15A
IEC:	LR6

Discharge Characteristics at Various Power Drains



Typical Ultra AA Discharge Characteristic



\* Delivered capacity is dependent on the applied load, operating temperature and cut-off voltage. Please refer to the charts and discharge data shown for examples of the energy / service life that the battery will provide for various load conditions.

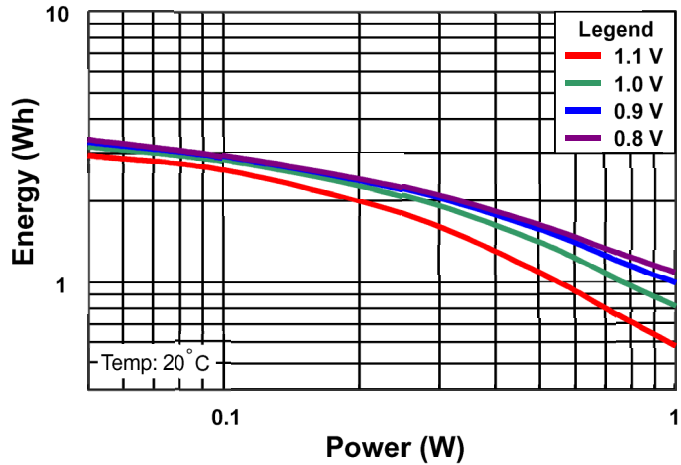


# Size: AA (LR6)

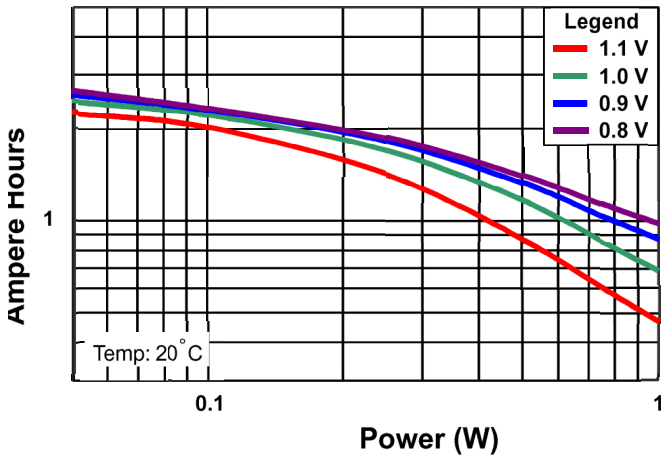
## Alkaline-Manganese Dioxide Battery

Zn/MnO

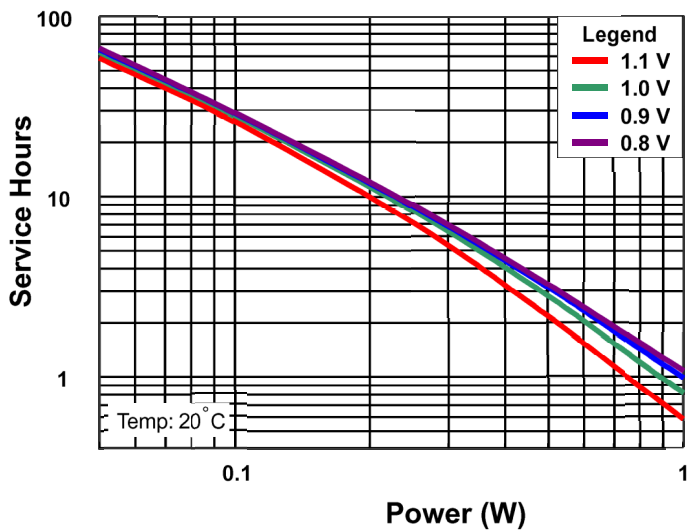
### Delivered Energy vs Power Drain



### Delivered Capacity vs Power Drain



### Service Hours vs Power Drain



# DURACELL®

BATTERIES

Berkshire Corporate Park  
Bethel, CT 06801 U.S.A.  
Telephone: Toll-free 1-800-534-2656  
Internet: www.duracell.com

\* Delivered capacity is dependent on the applied load, operating temperature and cut-off voltage. Please refer to the charts and discharge data shown for examples of the energy / service life that the battery will provide for various load conditions.