

LITHIUM BUTTON CELL

Document Title: PB042450

CR2450

Chemical System: Lithium/Manganese Dioxide

IEC Name: CR2450

ANSI/NEDA: 5029LC

Camelion Model: CR2450

Average Weight: 6.2g

Dimension (Ø x H): 24.5^{-0.3}x5.0^{-0.2}mm
0.96^{-0.01}x0.20^{-0.01}inch

Terminals: Flat

Nominal Voltage: 3.0Volts

Capacity: 550.0mAh

(20±2°C, Rated at 7.5kΩ to 2.00V)

Standard Discharge Current: 0.2mA

Max. Continuous Discharge Current: 1.0mA

Max. Pulse Discharge Current: 15.0mA

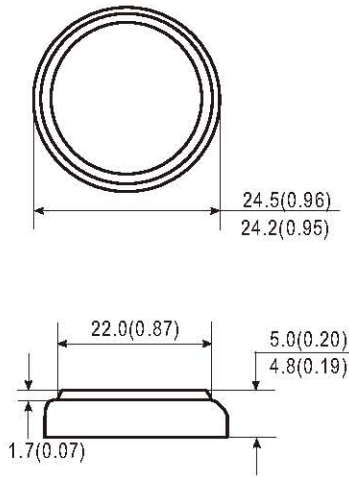
Operating Temperature: -20°C~60°C

Storage Conditions

Temperature: -20°C~45°C

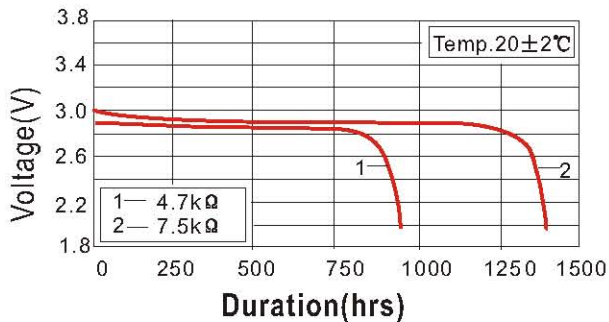
Relative Humidity: 60±15%

Cross Reference: E-CR2450(Energizer),
DL2450(Duracell),KECR2450(Rayovac)

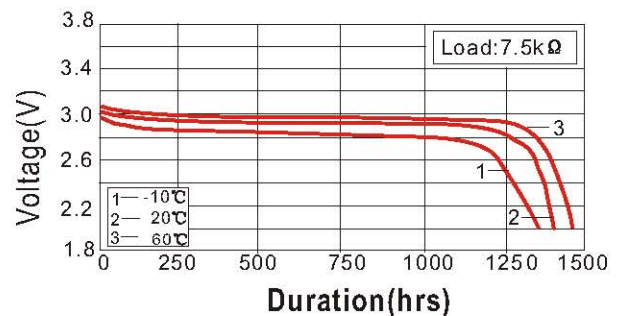


Unit:mm(inch)

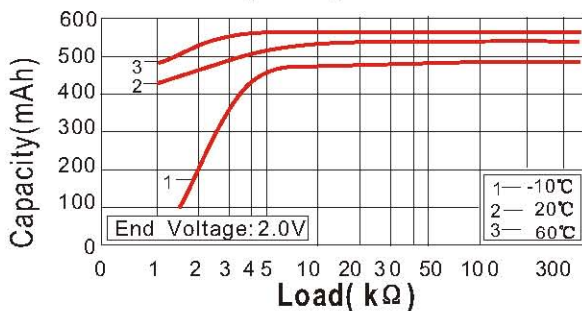
Discharge characteristics



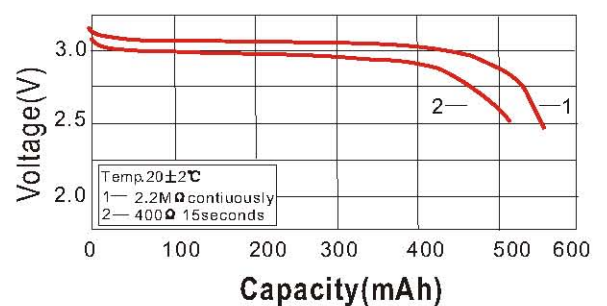
Temperature Characteristics



Load-capacity characteristic



Pulse Discharge Characteristic



Notice:

Environmental elements comply with RoHS requirements. This information is subject to change without prior notice and for reference only. It should not be used as a basis for a product guarantee or warranty. For additional information, please consult your nearest Camelion Sales Office or Distributor or visit our website at: www.camelionbattery.com.