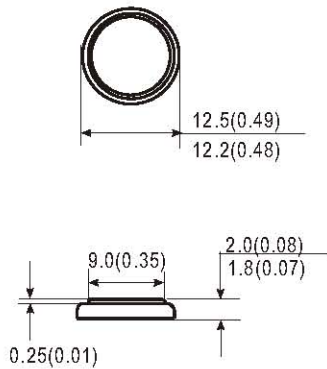


## LITHIUM BUTTON CELL

Document Title: PB041220

### CR1220



Unit:mm(inch)

**Chemical System :** Lithium/Manganese Dioxide

**IEC Name:** CR1220

**ANSI/NEDA:** 5012LC

**Camelion Model :** CR1220

**Average Weight :** 0.9g

**Dimension(  $\varnothing$  x H ):** 12.5<sup>-0.3</sup>x2.0<sup>-0.2</sup>mm  
0.49<sup>-0.01</sup>x0.08<sup>-0.01</sup>inch

**Terminals:** Flat

**Nominal Voltage :** 3.0Volts

**Capacity :** 38mAh

(20±2°C, Rated at 62k $\Omega$  to 2.00V)

**Standard Discharge Current:** 0.1mA

**Max. Continuous Discharge Current:** 0.2mA

**Max. Pulse Discharge Current:** 5.0mA

**Operating Temperature:** -20°C~60°C

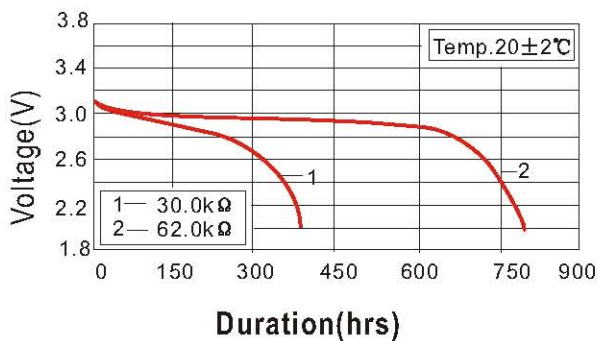
**Storage Conditions**

**Temperature:** -20°C~45°C

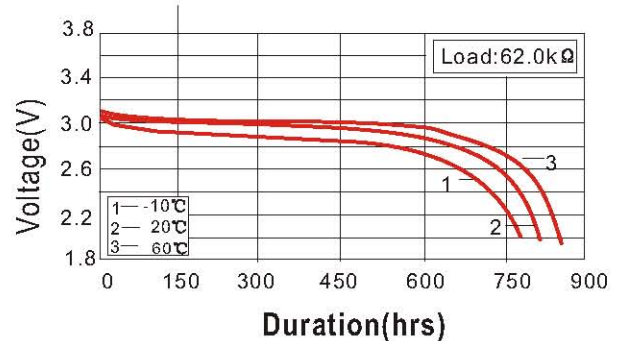
**Relative Humidity:** 60±15%

**Cross Reference:** E-CR1220(Energizer),  
DL1220(Duracell),KECR1220(Rayovac)

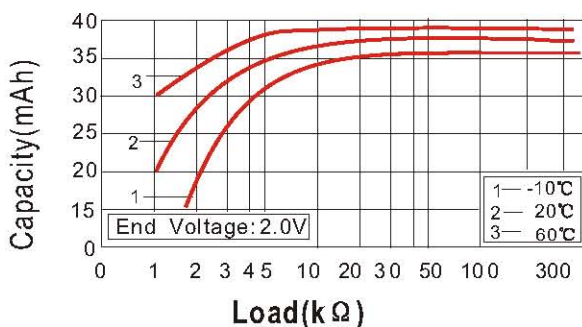
#### Discharge characteristics



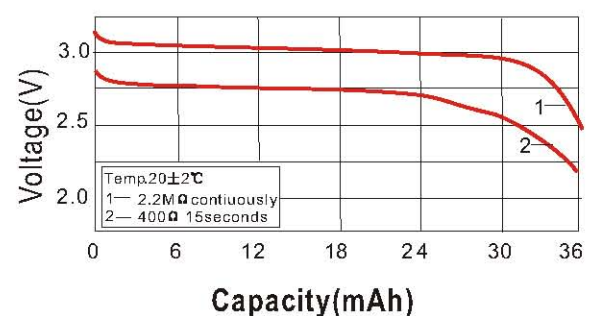
#### Temperature Characteristics



#### Load-capacity characteristic



#### Pulse Discharge Characteristic



#### Notice:

Environmental elements comply with RoHS requirements. This information is subject to change without prior notice and for reference only. It should not be used as a basis for a product guarantee or warranty. For additional information, please consult your nearest Camelion Sales Office or Distributor or visit our website at: [www.camelionbattery.com](http://www.camelionbattery.com).