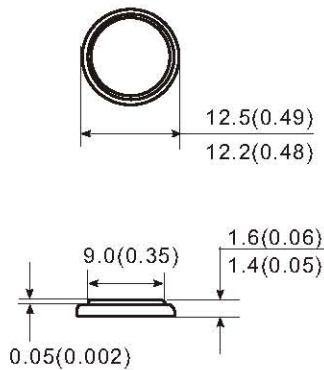


## LITHIUM BUTTON CELL

Document Title: PB041216

# CR1216



Unit: mm(inch)

**Chemical System:** Lithium/Manganese Dioxide

**IEC Name:** CR 1216

**ANSI/NEDA:** 5034LC

**Camelion Model:** CR1216

**Average Weight:** 0.7g

**Dimension (Ø x H):** 12.5<sup>-0.3</sup> x 1.6<sup>-0.2</sup> mm  
 0.49<sup>-0.01</sup> x 0.06<sup>-0.01</sup> inch

**Terminals:** Flat

**Nominal Voltage:** 3.0Volts

**Capacity:** 25mAh

(20±2°C, Rated at 62kΩ to 2.00V)

**Standard Discharge Current:** 0.1mA

**Max. Continuous Discharge Current:** 0.2mA

**Max. Pulse Discharge Current:** 5.0mA

**Operating Temperature:** -20°C~60°C

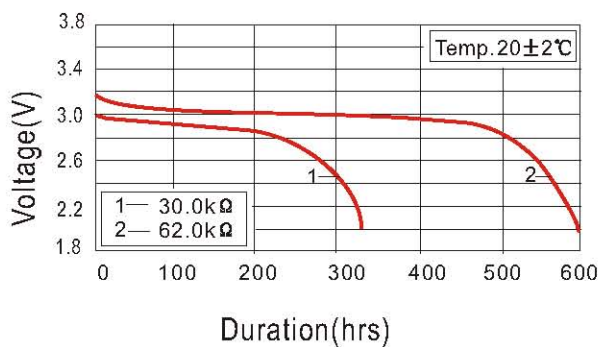
**Storage Conditions**

**Temperature:** -20°C~45°C

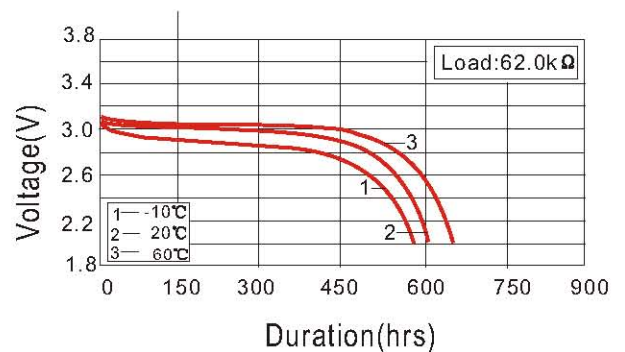
**Relative Humidity:** 60±15%

**Cross Reference:** E-CR1216(Energizer),  
 DL1216(Duracell),KECR1216(Rayovac)

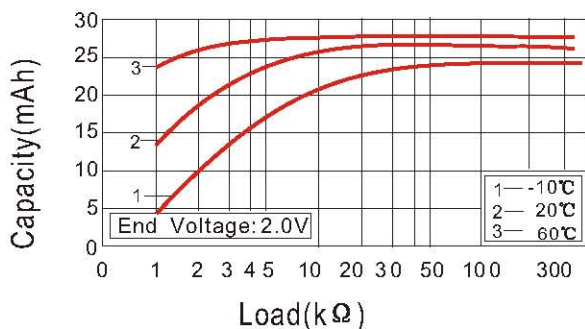
### Discharge characteristics



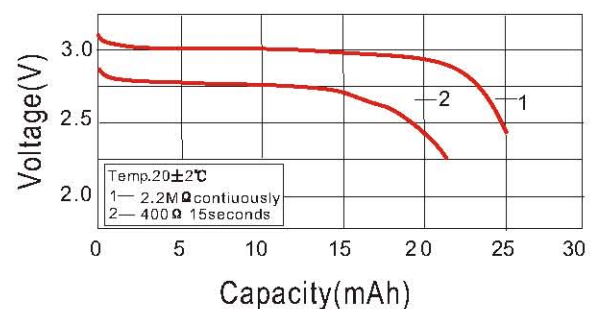
### Temperature Characteristics



### Load-capacity characteristic



### Pulse Discharge Characteristic



**Notice:**

Environmental elements comply with RoHS requirements. This information is subject to change without prior notice and for reference only. It should not be used as a basis for a product guarantee or warranty. For additional information, please consult your nearest Camelion Sales Office or Distributor or visit our website at: [www.camelionbattery.com](http://www.camelionbattery.com).