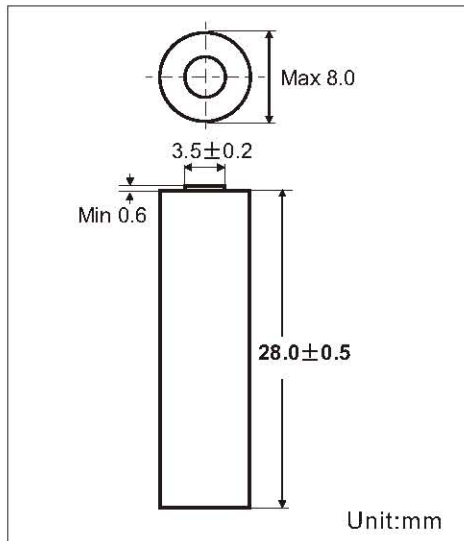


ALKALINE BUTTON CELL

Document Title: PB0327A

27A

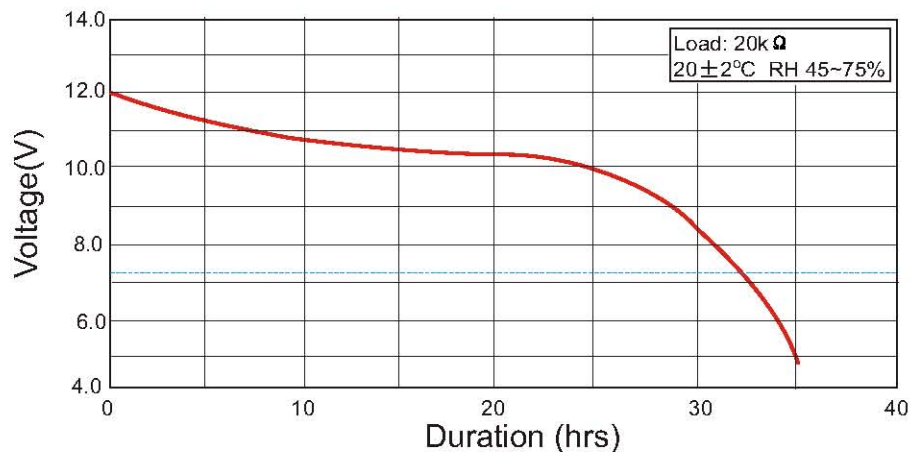


Chemical System : Primary Alkaline
Camelion No. : 27A
Average Weight : 4.6g
Dimension (∅ x H) : 8.0 x 28.5 mm
Terminals : Flat
Nominal Voltage : 12.0Volts
Nominal Service Capacity: 16mAh
 (20±2°C, Rated at 20KΩ to 7.2V)
Jacket : Aluminum Foil Label
Cross Reference: EL-812(Japan), B-1(Bronica)

Discharge Characteristic

Load Resistance	Cut Off Voltage	Discharge Pattern	Duration
20.0kΩ	7.20V	24hrs/day	32hrs

Discharge Curve



Notice:

This information is subject to change without prior notice and for reference only. It should not be used as a basis for a product guarantee or warranty. For additional information, please consult your nearest Camelion Sales Office or Distributor or visit our website at: www.camelionbattery.com.