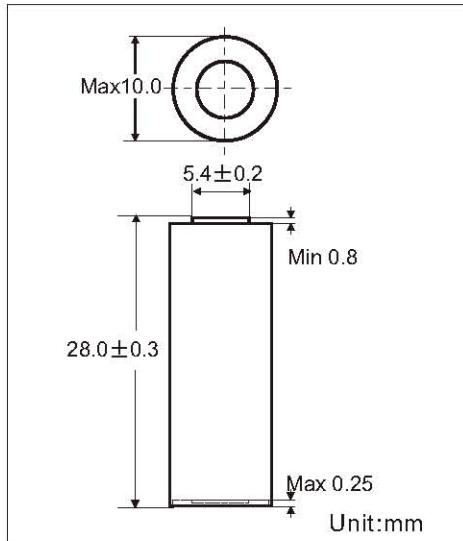


## ALKALINE BUTTON CELL

Document Title: PB0323A

# 23A

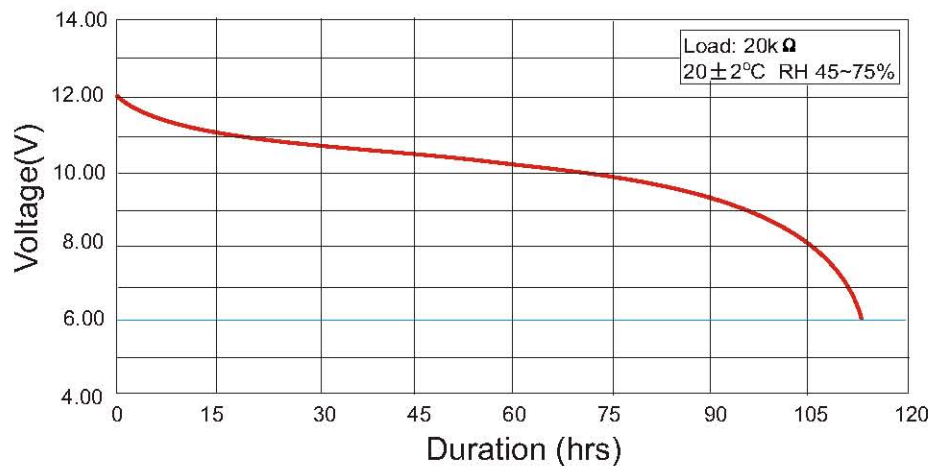


**Chemical System :** Primary Alkaline  
**Camelion No. :** 23A  
**Average Weight :** 7.9g  
**Dimension (∅ x H) :** 10.0 x 28.3 mm  
**Terminals :** Flat  
**Nominal Voltage :** 12.0Volts  
**Nominal Service Capacity:** 55mAh  
 (20 ± 2°C, Rated at 20kΩ load to 6.0V)  
**Jacket :** Metal Label  
 Operating Temperature: -20°C~54°C  
**Cross Reference:** EL12(Japan), VR22(Ranson)

## Discharge Characteristic

Load Resistance	Cut Off Voltage	Discharge Pattern	Duration
20.0kΩ	6.00V	24hrs/day	108hrs

## Discharge Curve



### Notice:

This information is subject to change without prior notice and for reference only. It should not be used as a basis for a product guarantee or warranty. For additional information, please consult your nearest Camelion Sales Office or Distributor or visit our website at: [www.camelionbattery.com](http://www.camelionbattery.com).