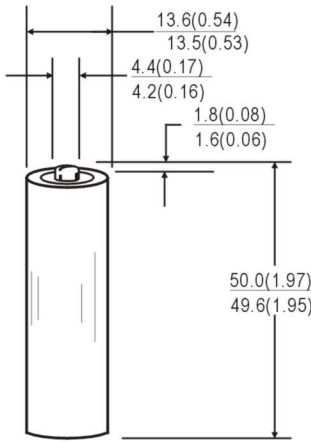


SUPER HEAVY DUTY BATTERY

R6P



Unit: mm(inch)

Chemical System : Zinc -Mangness Dioxide
(Zinc Chloride Electrolyte)

Camelion No. : R6P

IEC No. : R6P

ANSI/NEDA No. : 15D (AA)

Average Weight : 18g

Dimension(∅ x H) : 13.6^{+0.1} x 49.8^{+0.2} mm
0.54^{+0.004} x 1.96^{+0.008} inch

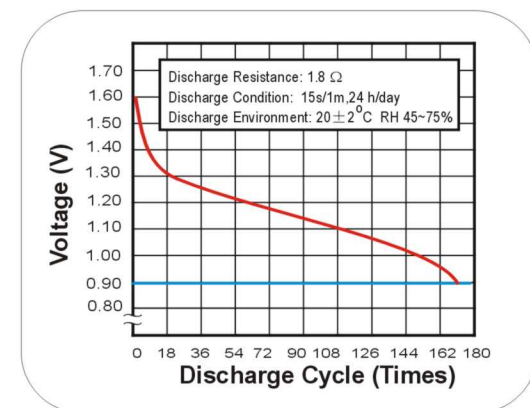
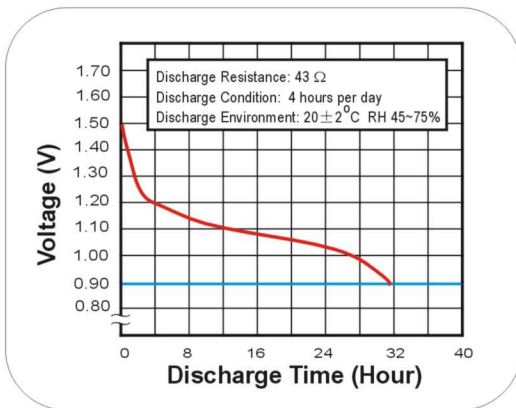
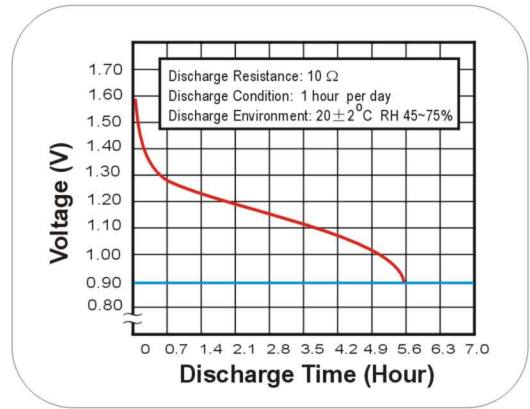
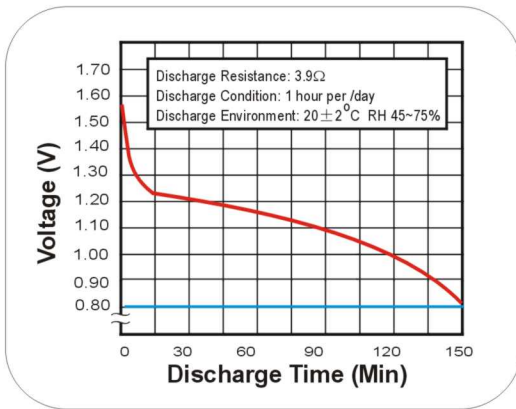
Terminals : Flat

Nominal Voltage : 1.5Volts

Average Capacity : 1200mAh to 0.8 volts

(At 20±2°C, Rated capacity at 25 mA continuous drain)

Jacket : Metal



Notice:

Environmental elements comply with RoHS requirements. This information is subject to change without prior notice and for reference only. It should not be used as a basis for a product guarantee or warranty. For additional information, please consult your nearest Camelion Sales Office or Distributor or visit our website at: www.camelionbattery.com.