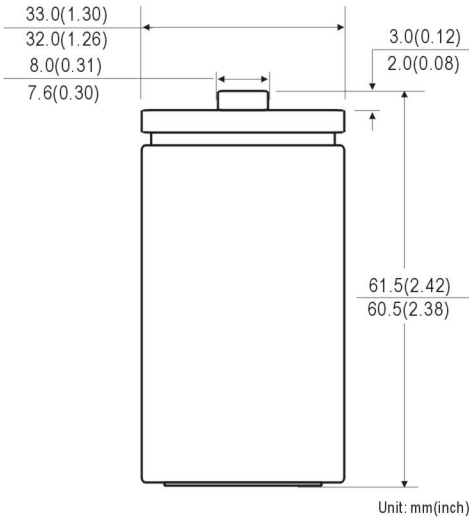


RECHARGEABLE BATTERY : Nickel Cadmium

Document Title: RB016450

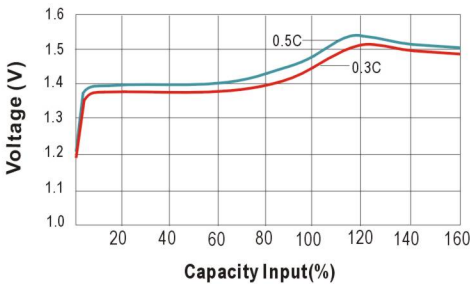
NC-D4500

Dimensions:



Chemical System	: Nickel Cadmium
Camelion Model	: NC- D4500
Average Weight	: 140.0g
Dimension (∅ x H)	: 32.5 ^{+0.5} x 59.5 ^{+0.5} mm (1.28 ^{+0.02} x 2.32 ^{+0.02} inch)
Nominal Voltage	: 1.2 Volts
Nominal Internal Resistance	: 15.0m-ohm @ 1kHz
Capacity(900mA constantly discharge to 1.0V at 20±2°C)	
Typical	: 4725mAh
Minimum	: 4500mAh
Max. Charge Current	: 2250mA
Max. Discharge Current	: 13.5A
Relative Humidity	: 65±20%
Jacket	: PVC Label

Charge Characteristics



Charging Conditions

Mode	Current	Time	Temperature
Standard	450mA	16.0hrs	0°C~45°C
Quick	900mA	3.5hrs	10°C~45°C
Fast	2250mA	2.5hrs*	10°C~45°C
Trickle	150~225mA	Continuously	10°C~35°C

*Can also be controlled with - ΔV or dT/dt system
 ΔV : 10-20mV
 dT/dt : 0.8°C/min(0.5C to 0.9C)
 0.8-1.0°C/min(1C)
 Timer cut off : 120% nominal capacity
 Temp. cut off : 55°C

Continuous Overcharge

450mA maximum current for 28 days
 No conspicuous deformation and/or leakage

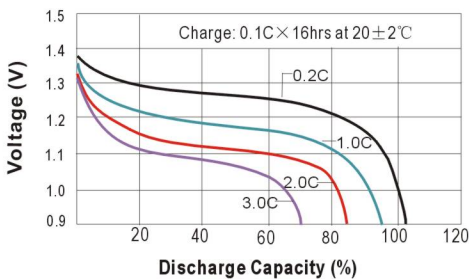
Operating and Storage Temperatures

Charge at 0.1C : 0°C to 50°C (32°F to 122°F)
Discharge at 0.1C : -20°C to 50°C (-4°F to 122°F)
Storage : -40°C to 50°C (-40°F to 122°F)
 (3 Months Max.)
 -20°C to 35°C (-4°F to 95°F)
 (2 Years Max.)

Service Life

>500 cycles (IEC standard)
 Up to 1000 cycles (not less than 60% of nominal at 0.1C Charge/0.2C discharge)

Discharge Characteristics



Notice:

This information is subject to change without prior notice and for reference only. It should not be used as a basis for a product guarantee or warranty. For additional information, please consult your nearest Camelion Sales Office or Distributor or visit our website at: www.camelionbattery.com.