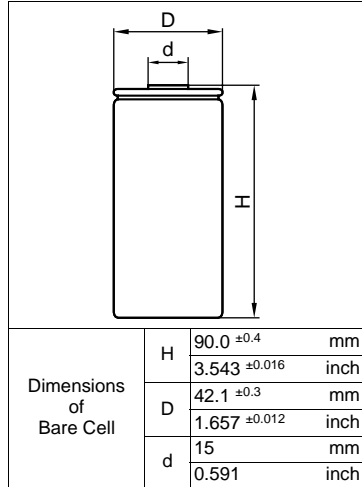


# SANYO

## Cadnica

# Cell Type KR-10000M

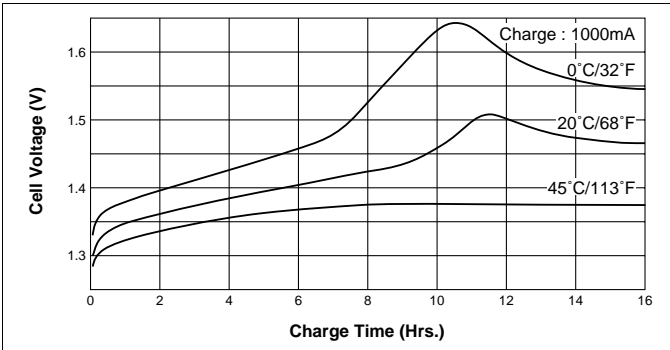
## Specifications



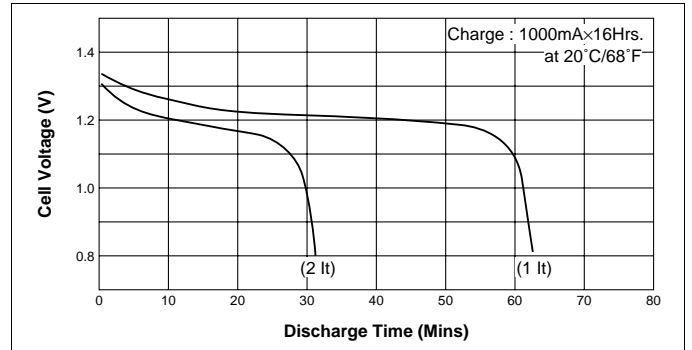
Nominal Capacity		10000mAh
Nominal Voltage		1.2V
Charging Current		1000mA
Charging Time		14 to 16Hrs.
Ambient Temperature	Charge	0°C to +45°C [+32°F to 113°F]
	Discharge	-20°C to +60°C [-4°F to 140°F]
	Storage	-30°C to +50°C [-22°F to 122°F]
Internal Impedance (Av.) (at 50% discharge)		2.6mΩ (at 1000Hz)
Weight		395g/13.93oz
Dimensions(D)×(H) (with tube)		43.1 <sup>0</sup> <sub>-1</sub> × 91.0 <sup>0</sup> <sub>-1.4</sub> mm 1.70 <sup>0</sup> <sub>-0.04</sub> × 3.58 <sup>0</sup> <sub>-0.06</sub> inch

### Typical Characteristics

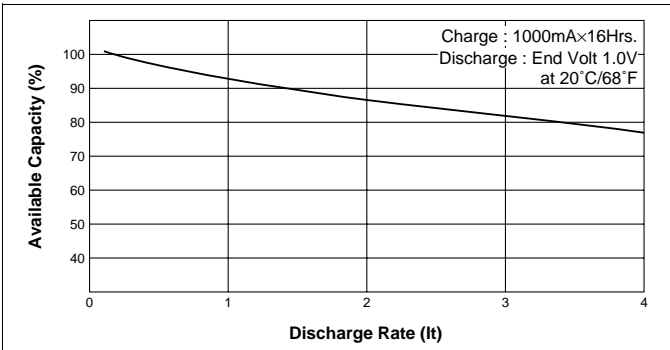
#### Charge



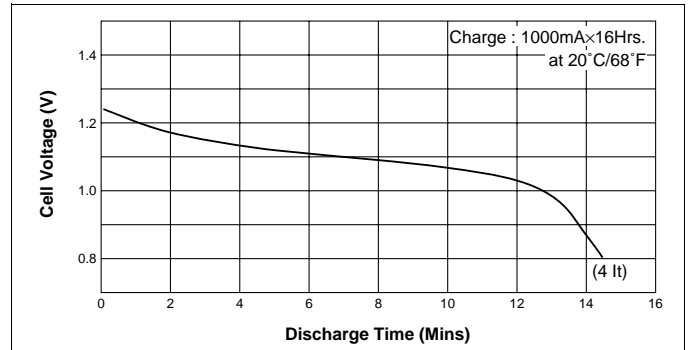
#### Discharge (at high rate)



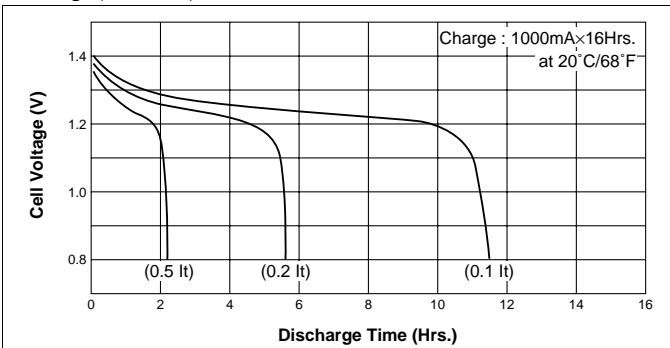
#### Cell Capacity (at various discharge rate)



#### Discharge (at high rate)



#### Discharge (at low rate)



#### Temperature (Charge & Discharge)

