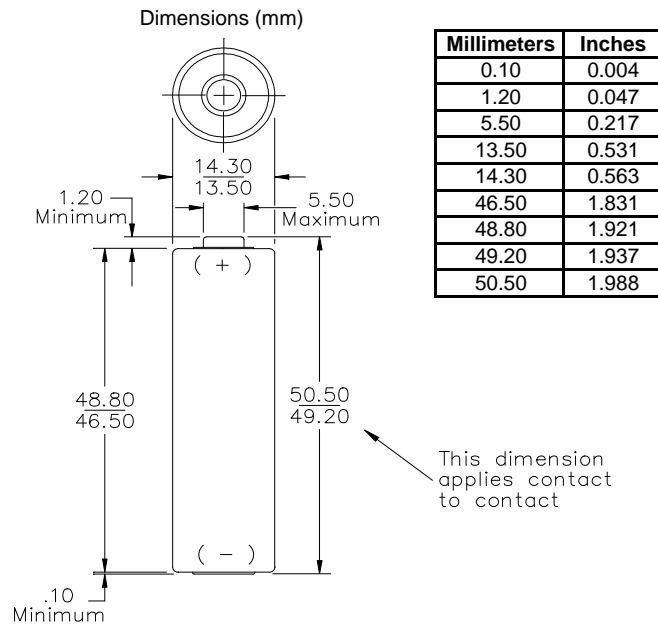




Engineering Data

AA
LITHIUM
ENERGIZER

ENERGIZER NO. L91



Chemical System: Lithium/Iron Disulfide (Li/FeS₂)

Designation: ANSI / NEDA - 15LF

Battery Voltage: 1.5 Volts

Average Weight: 14.5 grams (0.51oz.)

Volume: 8 cubic centimeters (0.49 cubic inch)

Storage Temperature Range:

-40°C to +60°C (-40°F to +140°F)

Operating Temperature Range:

-40°C to +60°C (-40°F to +140°F)

Maximum Discharge: 1.4A Continuous

Lithium Content: Less than 1 gram (0.04 oz.) per cell

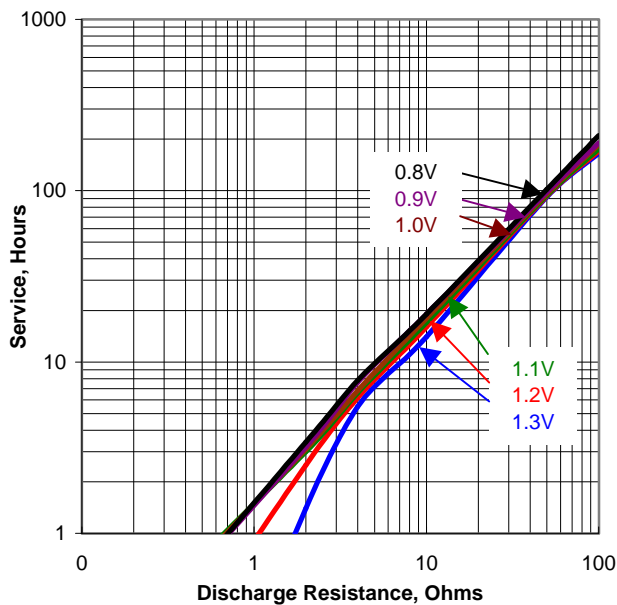
Jacket: Non-magnetic plastic label

Transportation: Meets requirements of 49CFR 173.185

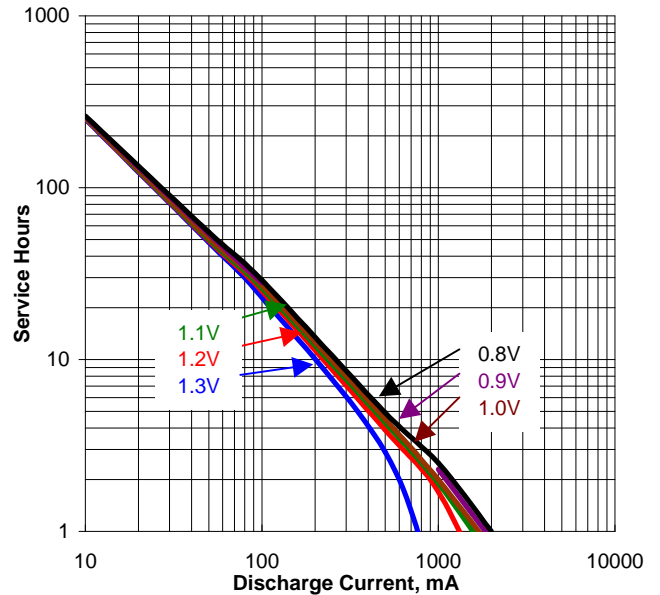
(b) and IATA Special Provisions A45

Shelf Life: 10 years (+)

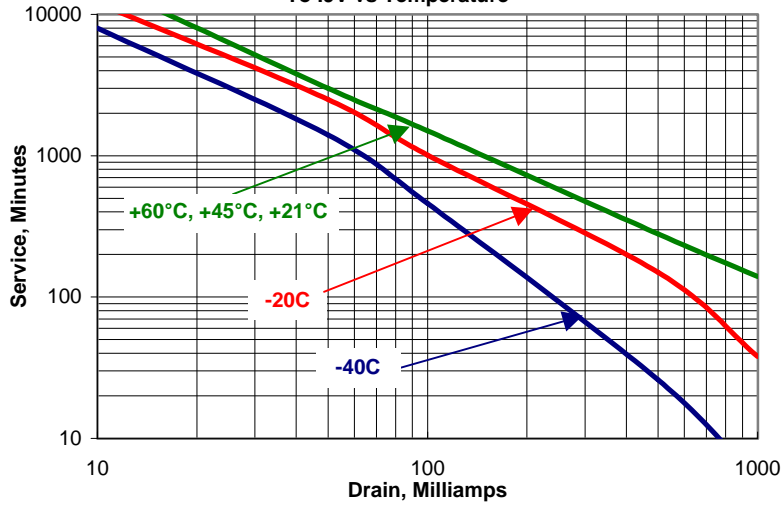
CONSTANT RESISTANCE PERFORMANCE
 Typical Service



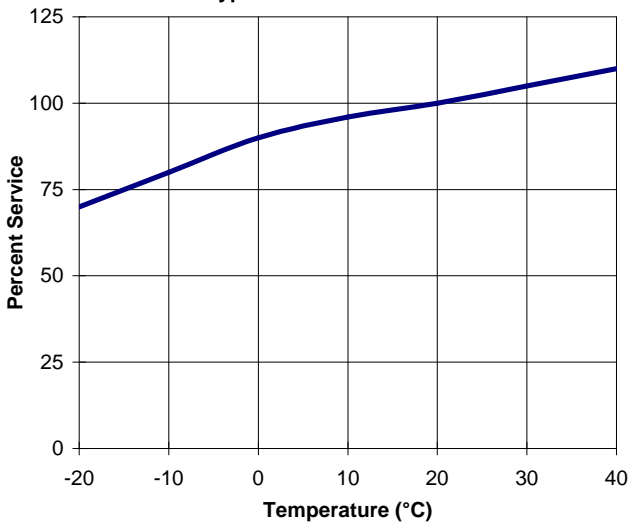
CONSTANT CURRENT PERFORMANCE
 Typical Service



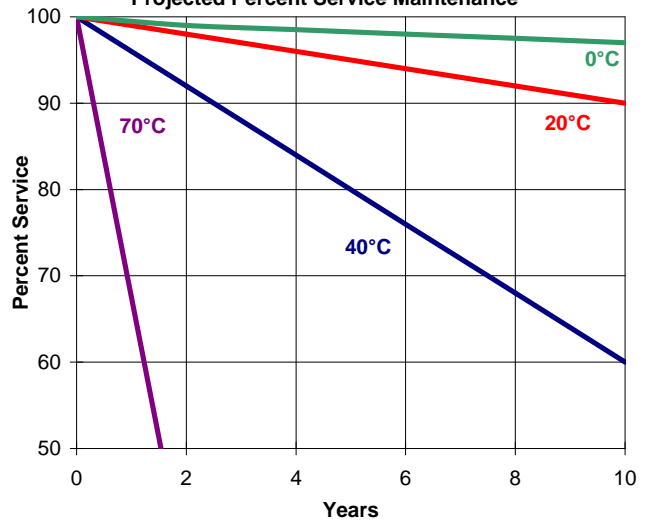
Typical Continuous Performance Characteristics
To .9V vs Temperature



Typical Temperature Effects on Batteries
Typical Percent Service



Typical Temperature Effects on Batteries
Projected Percent Service Maintenance



Important Notice

This data sheet contains information specific to batteries manufactured at time of its publication. Please contact your Energizer representative for most current information. Contents herein do not constitute a warranty.