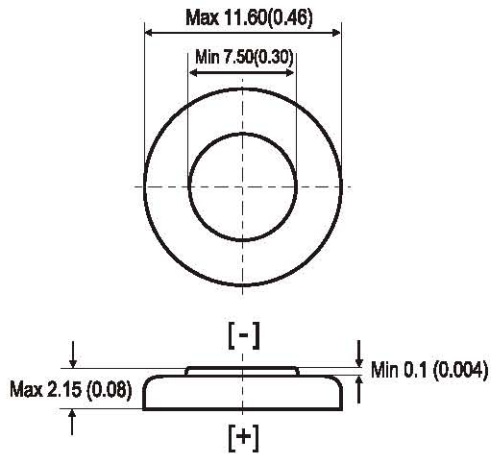


ALKALINE BUTTON CELL

Document Title: PB031120

LR1120



Unit:mm(inch)

Chemical System : Primary Alkaline

Camelion Model: LR1120(AG 8)

IEC Name: LR 55, LR1120

Average Weight : 0.87g

Dimension (∅ x H) : 11.60x2.15 mm
(0.46x0.08inch)

Negative Terminal : Trimetal or steel gold plated

Positive Terminal: Nickel plated steel

Nominal Voltage : 1.5Volts

Nominal Service Capacity: 42.0mAh
(20±2°C , Rated at 6.8K Ω to 0.90V)

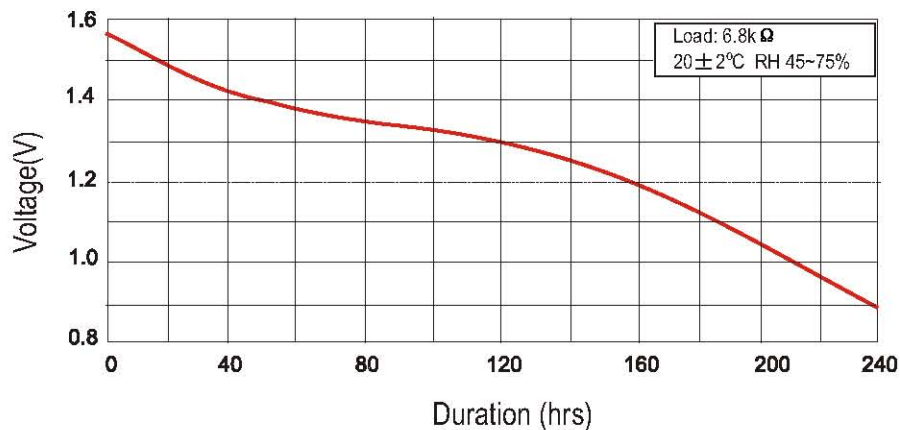
Discharge Current: 0~10.0mA

Cross Reference: V8GA(Varta), 191(Eveready),
LR1120(Maxcell), 391A, GP91A

Discharge Characteristic

Load Resistance	Cut Off Voltage	Discharge Pattern	Starting Drain	Duration
6.8k Ω	0.90V	24hrs/day	0.22mA	228hrs

Discharge Curve



Notice:

This information is subject to change without prior notice and for reference only. It should not be used as a basis for a product guarantee or warranty. For additional information, please consult your nearest Camelion Sales Office or Distributor or visit our website at: www.camelionbattery.com.