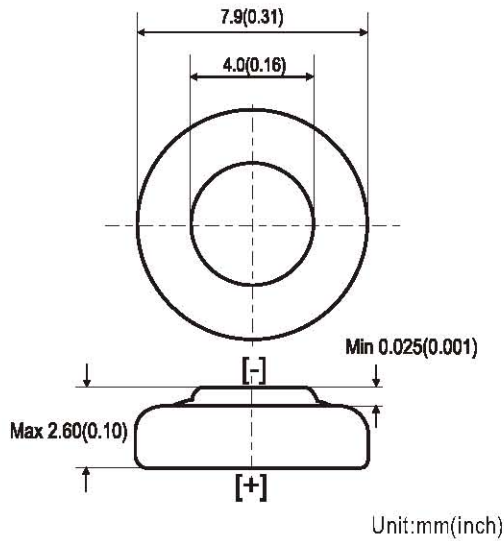


ALKALINE BUTTON CELL

Document Title: PB03726

LR 726

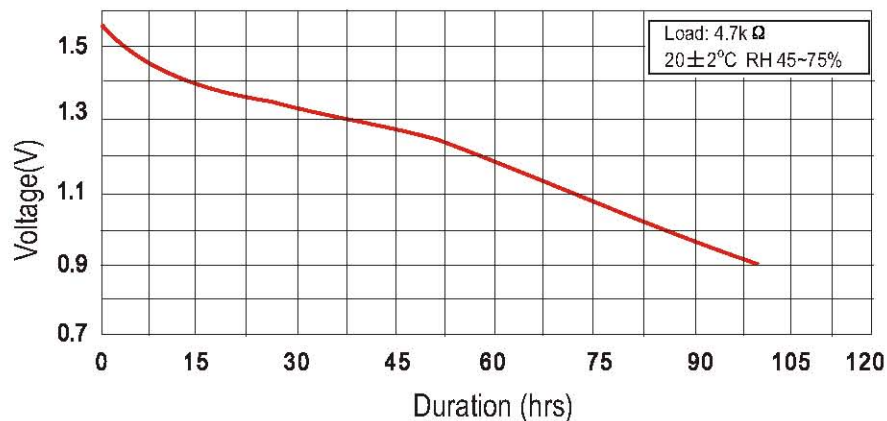


Chemical System : Primary Alkaline
Camelion Model : LR 726 (AG 2)
IEC Name: LR 59,LR726
Average Weight : 0.43g
Dimension (∅ x H) : 7.85 x2.60 mm
 (0.31x0.10 inch)
Negative Terminal : Trimetal or steel gold plated
Positive Terminal: Nickel plated steel
Nominal Voltage : 1.5Volts
Nominal Service Capacity:25.0mAh
 (20±2°C , Rated at 4.7KΩ to 0.9V)
Discharge Current:0~5.0mA
Cross Reference: 196(Eveready),LR726(Maxcell),
 396A(Other)

Discharge Characteristic

Load Resistance	Cut Off Voltage	Discharge Pattern	Starting Drain	Duration
4.7kΩ	0.9V	24hrs/day	0.32mA	96hrs

Discharge Curve



Notice:

This information is subject to change without prior notice and for reference only. It should not be used as a basis for a product guarantee or warranty. For additional information, please consult your nearest Camelion Sales Office or Distributor or visit our website at: www.camelionbattery.com.