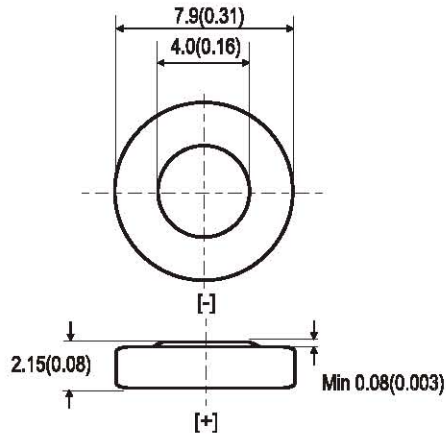


## ALKALINE BUTTON CELL

Document Title: PB03721

# LR721



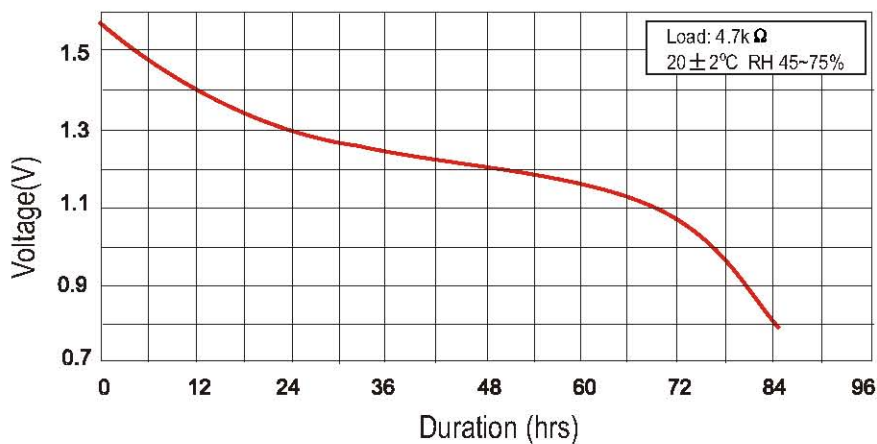
Unit:mm(inch)

**Chemical System :** Primary Alkaline  
**Camelion Model :** LR721(AG11)  
**IEC Name:** LR58, LR721  
**Average Weight :** 0.38g  
**Dimension (∅ x H) :** 7.90 x2.15 mm  
 (0.31 x0.08inch)  
**Negative Terminal :** Trimetal or steel gold plated  
**Positive Terminal:** Nickel plated steel  
**Nominal Voltage :** 1.5Volts  
**Nominal Service Capacity:** 21.0mAh  
 (20±2°C , Rated at 4.7KΩ to 0.90V)  
**Discharge Current:** 0~5.0mA  
**Cross Reference:** 362(Eveready),362A,V11GA

## Discharge Characteristic

Load Resistance	Cut Off Voltage	Discharge Pattern	Starting Drain	Duration
4.7kΩ	0.90V	24hrs/day	0.33mA	80hrs

## Discharge Curve



**Notice:**

This information is subject to change without prior notice and for reference only. It should not be used as a basis for a product guarantee or warranty. For additional information, please consult your nearest Camelion Sales Office or Distributor or visit our website at: [www.camelionbattery.com](http://www.camelionbattery.com).