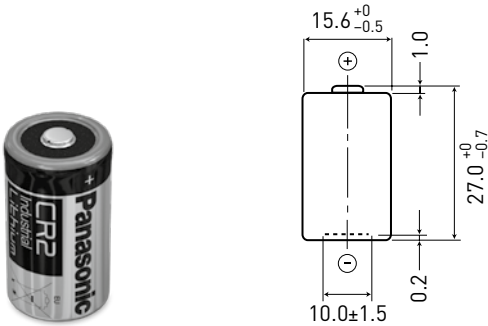


2 MANGANESE DIOXIDE LITHIUM BATTERIES (CR SERIES FOR CONSUMER)

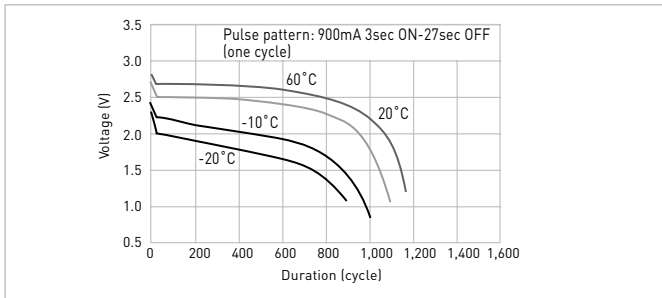
CR-2

DIMENSIONS (MM)

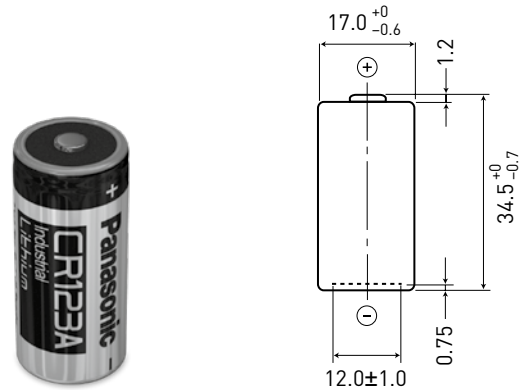


Model number	CR-2
Nominal voltage (V)	3
Nominal capacity (mAh)	850
Diameter (mm)	15.6
Total height (mm)	27.0
Discharging temperature range (°C)	-40 to +70*1
Weight (g)	11.0

DISCHARGE TEMPERATURE CHARACTERISTICS

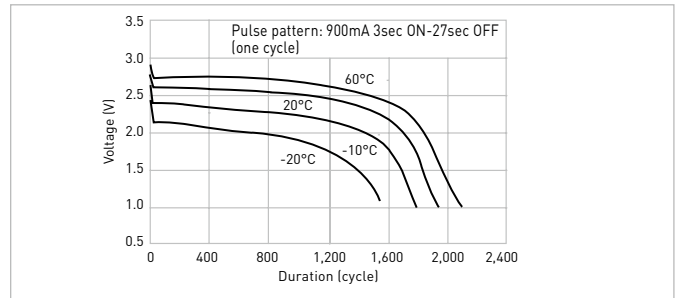


CR-123A



Model number	CR-123A
Nominal voltage (V)	3
Nominal capacity (mAh)	1,400
Diameter (mm)	17.0
Total height (mm)	34.5
Discharging temperature range (°C)	-40 to +70*1
Weight (g)	17.0

DISCHARGE TEMPERATURE CHARACTERISTICS



The data in this document are for descriptive purposes only and are not intended to make or imply any guarantee or warranty.

*1 Please consult Panasonic for use below and above -20°C to +60°C.