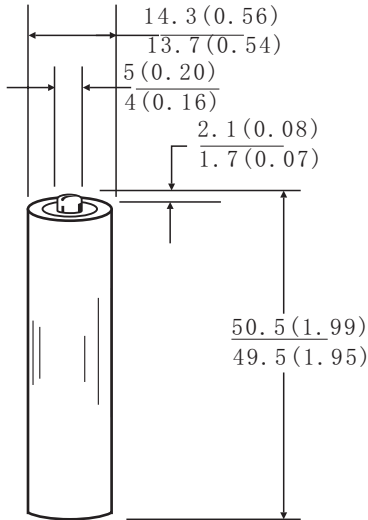


Camelion R6P-PVC

SUPER HEAVY DUTY BATTERY



Dimensions



Unit: mm(inch)

Specifications

Chemical System : Zinc-Manganese Dioxide
(ZincChloride Electrolyte)

Camelion Model : R6P

IEC No. : R6P

ANSI/NEDA No. : 15D (AA)

Average Weight : 14g

Dimension (Ø x H) : 14.0^{±0.3} x 50.0^{±0.5} mm
0.55^{±0.01} x 1.97^{±0.02} inch

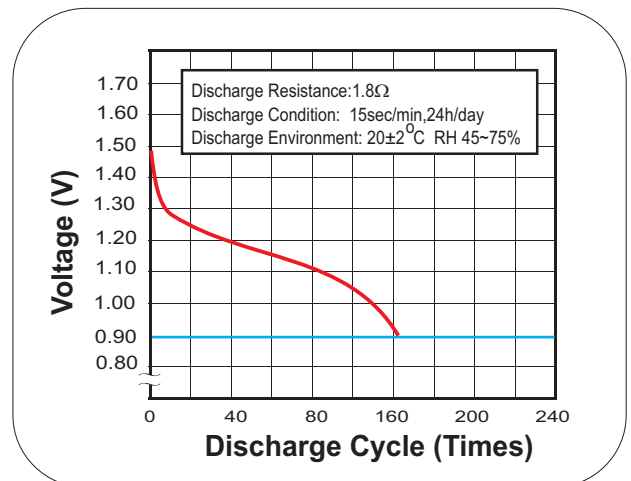
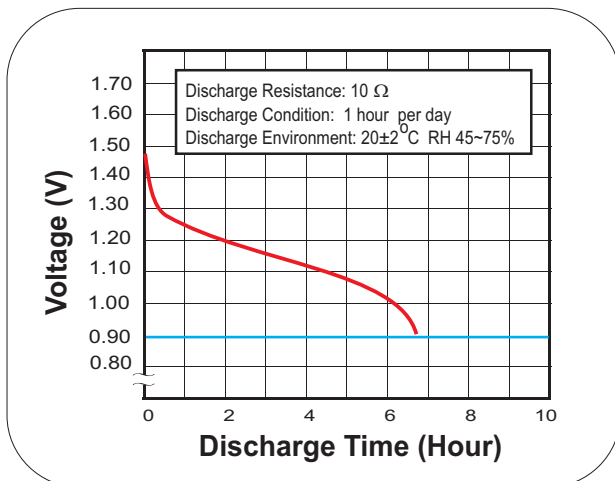
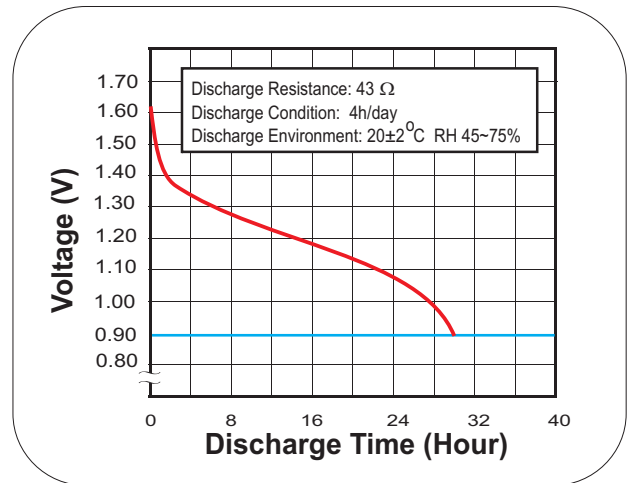
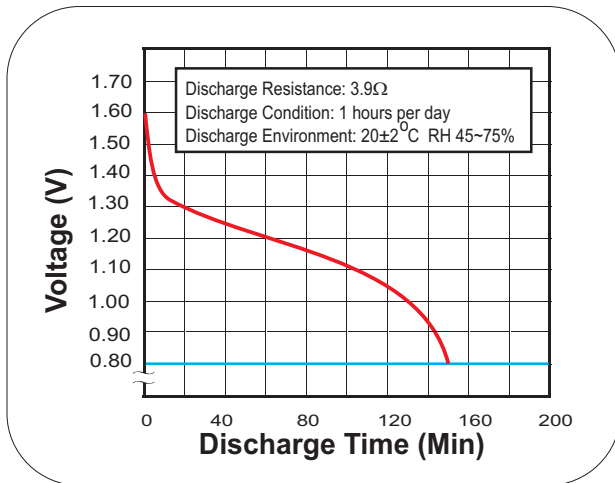
Terminals : Flat

Nominal Voltage : 1.5Volts

Average Capacity : 1220 mAh to 0.8 volts

(20±2°C, Rated capacity at 25 mA continuous drain)

Jacket : PVC



Notice:

Environmental elements comply with RoHS requirements. This information is subject to change without prior notice and for reference only. It should not be used as a basis for a product guarantee or warranty. For additional information, please consult your nearest Camelion Sales Office or Distributor or visit our website at: www.camelionbattery.com.