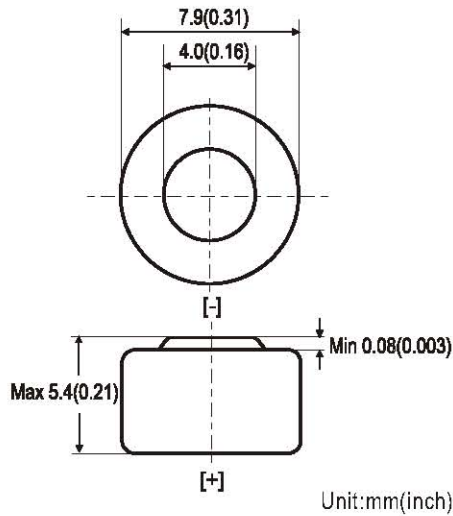


ALKALINE BUTTON CELL

Document Title: PB03754

LR 754



Chemical System : Primary Alkaline

Camelion Model : LR754(AG 5)

IEC Name: LR 48, LR754

Average Weight : 0.86g

Dimension (∅ x H) : 7.90 x5.40 mm
(0.31x0.21inch)

Negative Terminal : Trimetal or steel gold plated

Positive Terminal: Nickel plated steel

Nominal Voltage : 1.5Volts

Nominal Service Capacity: 53.0mAh
(20±2°C , Rated at 1.0KΩ to 0.90V)

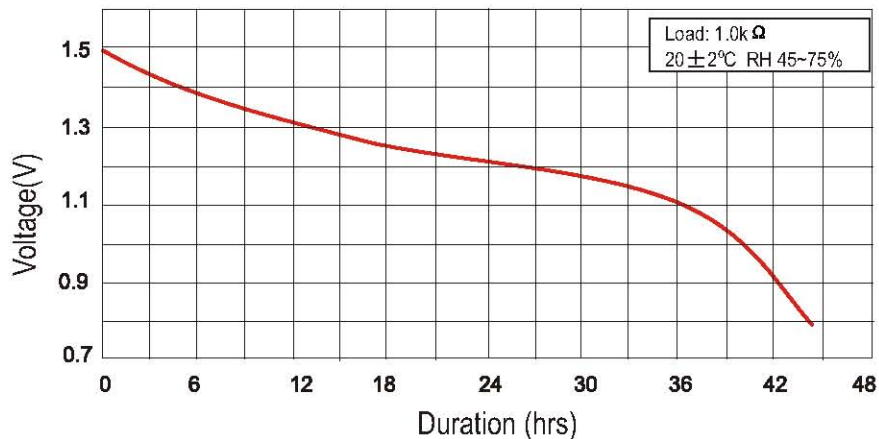
Discharge Current: 0~5.0mA

Cross Reference: 193(Eveready), 393A, V5GA,
GP93A, L754

Discharge Characteristic

Load Resistance	Cut Off Voltage	Discharge Pattern	Starting Drain	Duration
1.0k Ω	0.90V	24hrs/day	1.5mA	42hrs

Discharge Curve



Notice:

This information is subject to change without prior notice and for reference only. It should not be used as a basis for a product guarantee or warranty. For additional information, please consult your nearest Camelion Sales Office or Distributor or visit our website at: www.camelionbattery.com.