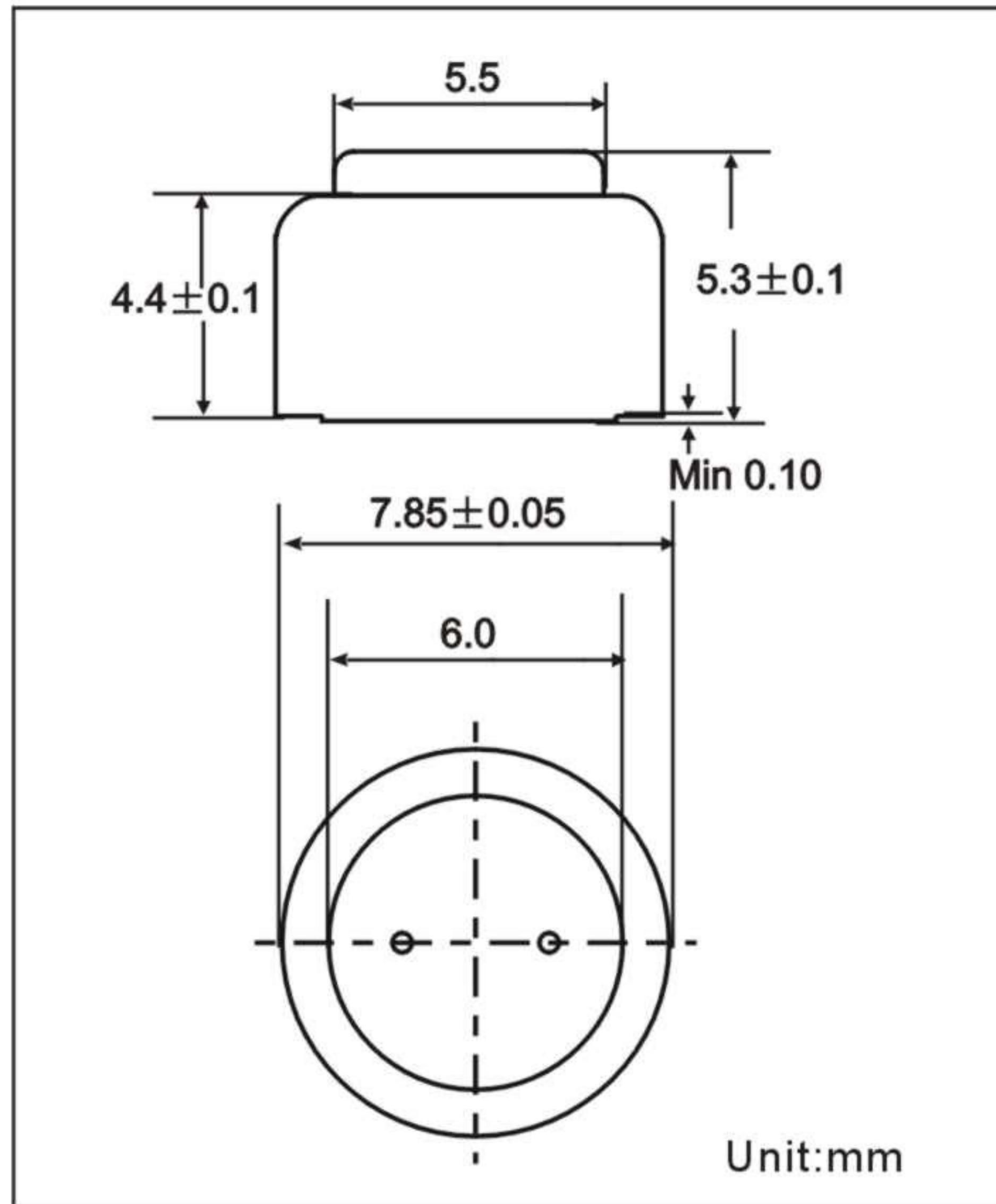


## ZINC AIR BUTTON CELL

# A13

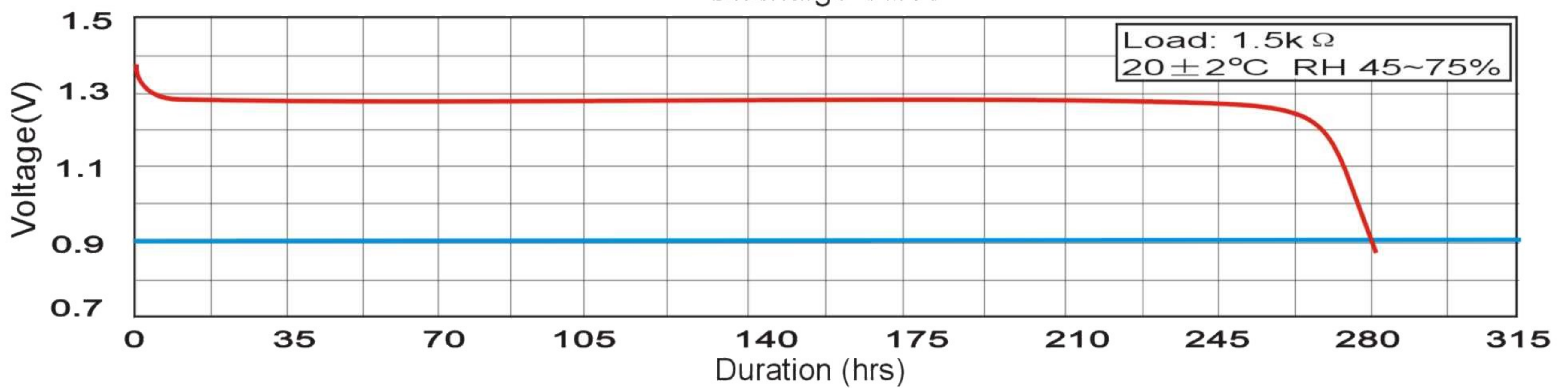


**Chemical System :** Zinc air  
**Camelion No. :** A13  
**IEC Name:** PR 48  
**ANSI/NEDA:** 7000ZD  
**Average Weight :** 0.84g  
**Dimension ( Ø x H ) :** 7.9 x 5.4 mm  
**Terminal:** Flat  
**Nominal Voltage :** 1.4Volts  
**Nominal Service Capacity:** 280.0mAh  
 (25±2°C , Rated at 1.5 KΩ to 0.90V)  
**Nominal Impedance:** 3.5 Ω @1000Hz  
**Discharge Current:** 0~8.0mA  
**Operating Conditions:**  
 Temperature:0~50°C  
 Relative Humidity:45~75%  
**Environmental :** No mercury and cadmium  
 added formulation  
**Cross Reference:** V13A(Varta), AC13(Energizer),  
 13(duracell),ZA13(GP)

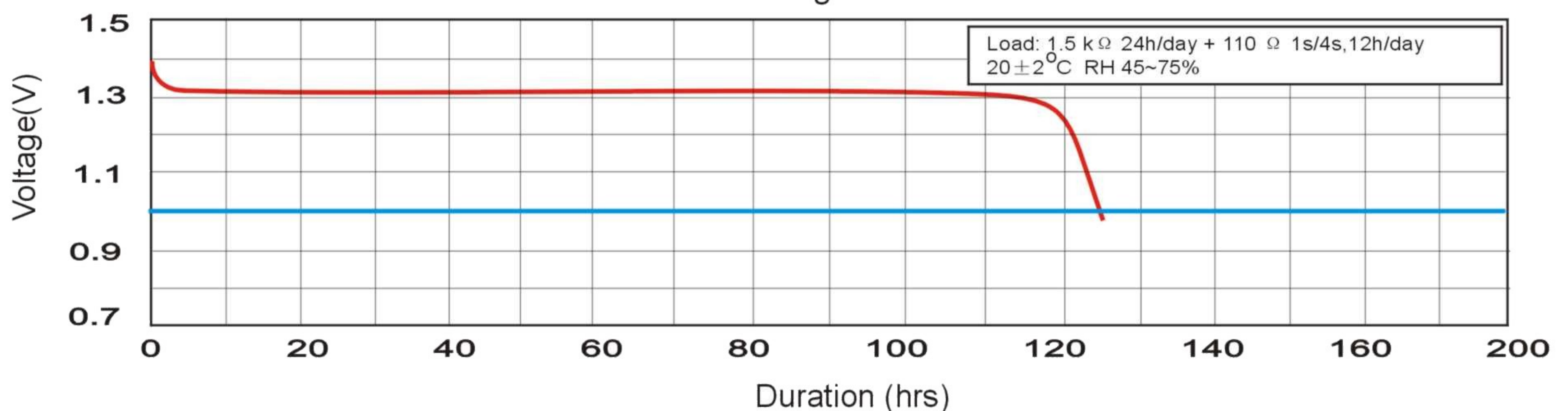
### Discharge Characteristic

Load Resistance	Cut Off Voltage	Discharge Pattern	Starting Drain	Duration
1.5k Ω	0.9V	24hrs/day	0.87mA	280hrs

Discharge Curve



Discharge Curve



**Notice:**

Environmental elements comply with RoHS requirements. This information is subject to change without prior notice and for reference only. It should not be used as a basis for a product guarantee or warranty. For additional information, please consult your nearest Camelion Sales Office or Distributor or visit our website at: [www.camelionbattery.com](http://www.camelionbattery.com).