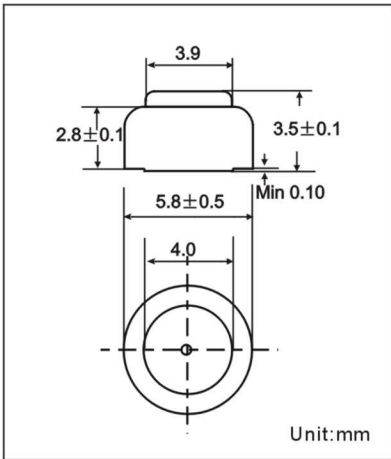


ZINC AIR BUTTON CELL

A10

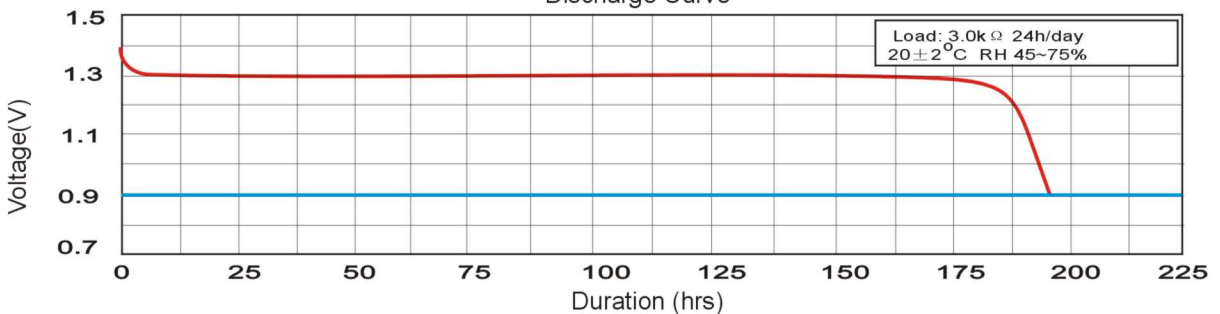


Chemical System : Zinc air
Camelion No. : A10
IEC Name: PR 70, PR 536
ANSI/NEDA: 7005ZD
Average Weight : 0.31g
Dimension (\varnothing x H) : 5.85 x 3.60 mm
Terminal: Flat
Nominal Voltage : 1.4Volts
Nominal Service Capacity: 90 mAh
 (25±2°C , Rated at 3.0K Ω to 0.90V)
Nominal Impedance: 8.0 Ω @1000Hz
Discharge Current: 0~3.0mA
Operating Conditions:
 Temperature: 0~50°C
 Relative Humidity: 45~75%
Environmental : No mercury and cadmium
 added formulation
Cross Reference: V10A(Varta), AC10(Energizer),
 10(duracell), ZA10(GP)

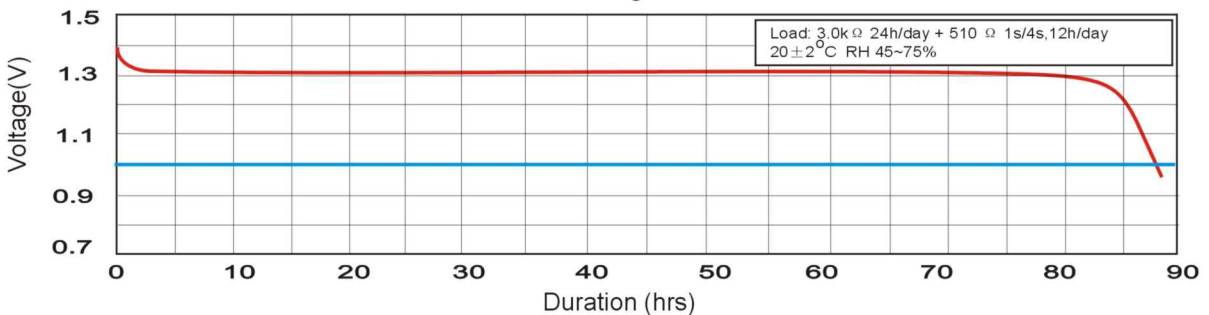
Discharge Characteristic

| Load Resistance | Cut Off Voltage | Discharge Pattern | Starting Drain | Duration |
|-----------------|-----------------|-------------------|----------------|----------|
| 3.0k Ω | 0.9V | 24hrs/day | 0.43mA | 185hrs |

Discharge Curve



Discharge Curve



Notice:

Environmental elements comply with RoHS requirements. This information is subject to change without prior notice and for reference only. It should not be used as a basis for a product guarantee or warranty. For additional information, please consult your nearest Camelion Sales Office or Distributor or visit our website at: www.camelionbattery.com.