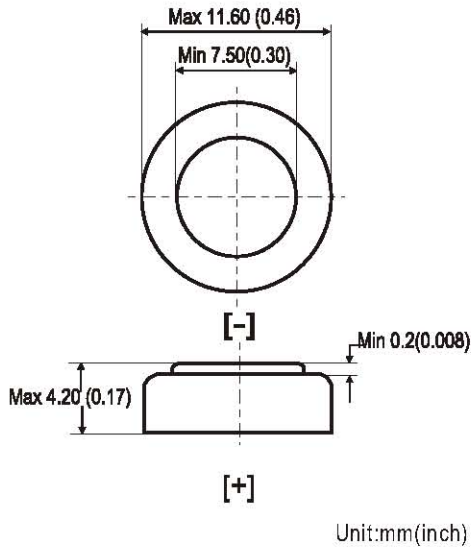


## ALKALINE BUTTON CELL

Document Title: PB0343

# LR43

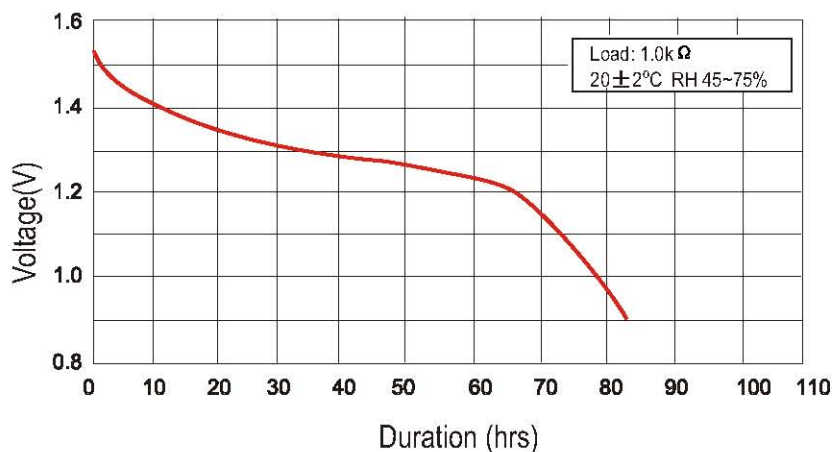


**Chemical System :** Primary Alkaline  
**Camelion Model :** LR 43(AG12)  
**IEC Name:** LR 43  
**ANSI/NEDA:** 1167A  
**Average Weight :** 1.55g  
**Dimension (∅ x H) :** 11.60x4.20 mm  
 (0.46x0.17inch )  
**Negative Terminal :** Trimetal or steel gold plated  
**Positive Terminal:** Nickel plated steel  
**Nominal Voltage :** 1.5Volts  
**Nominal Service Capacity:** 108mAh  
 (20±2°C , Rated at 1.0KΩ to 0.9V)  
**Discharge Current:** 0~10.0mA  
**Cross Reference:** V12GA(Varta), RW84(Rayovac),  
 186(Eveready), LR43(Maxcell),  
 386A, GP86A

## Discharge Characteristic

Load Resistance	Cut Off Voltage	Discharge Pattern	Starting Drain	Duration
1.0k Ω	0.90V	24hrs/day	1.5mA	82hrs

## Discharge Curve



### Notice:

This information is subject to change without prior notice and for reference only. It should not be used as a basis for a product guarantee or warranty. For additional information, please consult your nearest Camelion Sales Office or Distributor or visit our website at: [www.camelionbattery.com](http://www.camelionbattery.com).