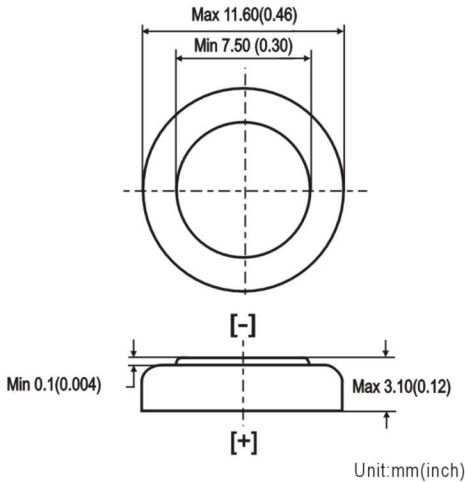


ALKALINE BUTTON CELL

Document Title: PB031130

LR1130



Chemical System: Primary Alkaline

Camelion Model: LR1130(AG10)

IEC Name: LR 54, LR1130

Average Weight: 1.1g

Dimension (∅ x H): 11.6 x 3.10mm
(0.46 x 0.12inch)

Negative Terminal: Trimetal or steel gold plated

Positive Terminal: Nickel plated steel

Nominal Voltage: 1.5Volts

Nominal Service Capacity: 80.0mAh
(20±2°C, Rated at 1.0KΩ to 0.9V)

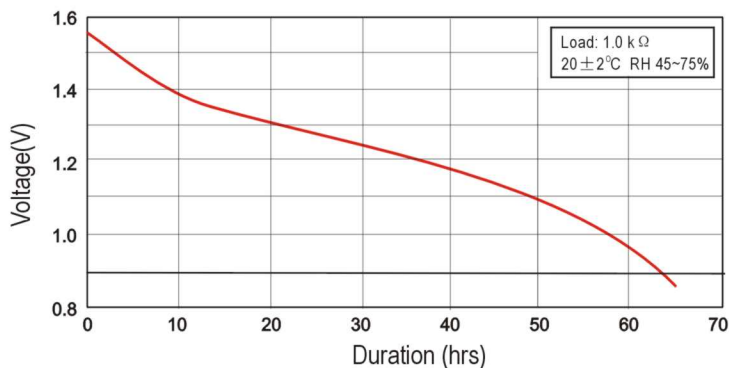
Discharge Current: 0~10.0mA

Cross Reference: V10GA(Varta), RW89(Rayovac),
189(Eveready), LR1130(Maxcell),
389A, 1168A, GP89A

Discharge Characteristic

Load Resistance	Cut Off Voltage	Discharge Pattern	Starting Drain	Duration
1.0kΩ	0.9V	24hrs/day	1.5mA	63hrs

Discharge Curve



Notice:

This information is subject to change without prior notice and for reference only. It should not be used as a basis for a product guarantee or warranty. For additional information, please consult your nearest Camelion Sales Office or Distributor or visit our website at: www.camelionbattery.com.