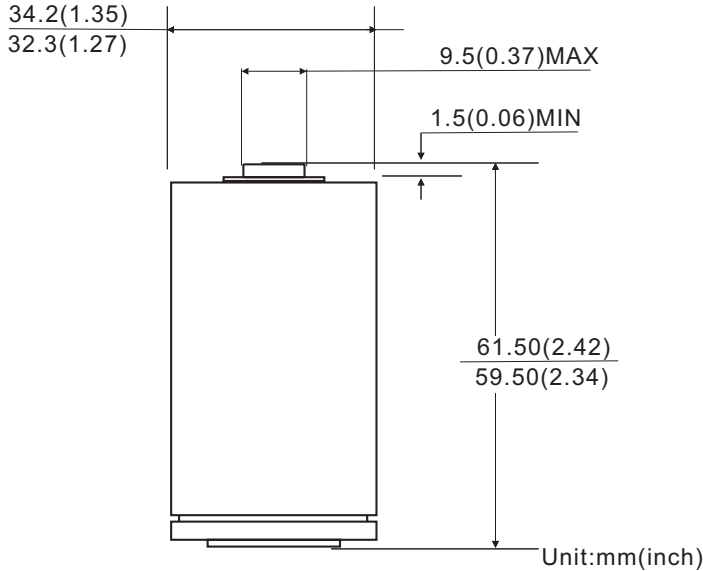


Camelion LR20-Plus

PLUS ALKALINE BATTERY



Dimensions



Specifications

Chemical System : Alkaline
Zinc-Manganese Dioxide (Zn/MnO₂)

Camelion Model : LR20

IEC No. : LR20

ANSI/NEDA No. : 13A (D)

Average Weight : 134.1g

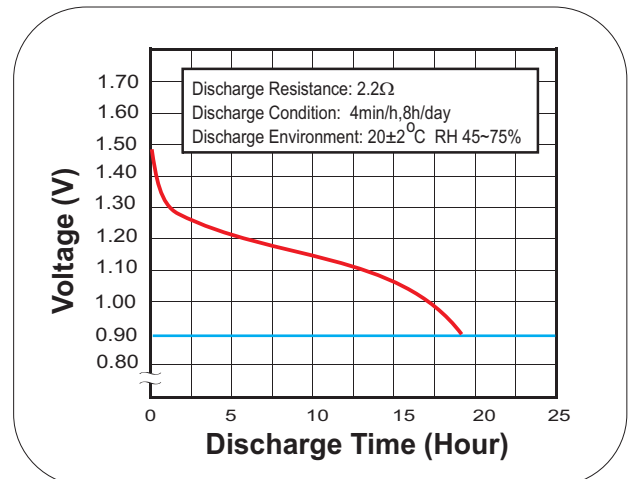
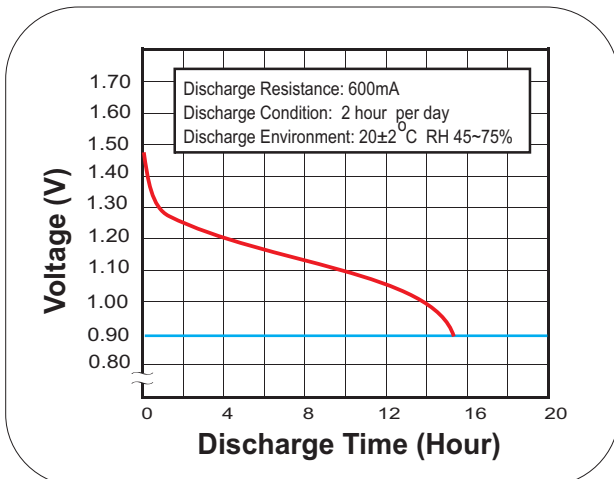
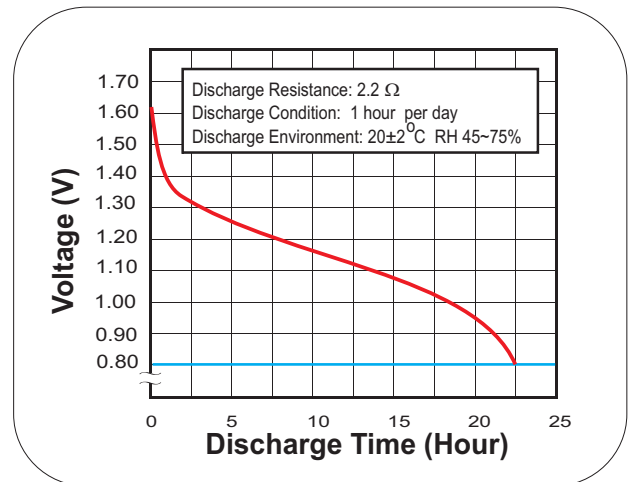
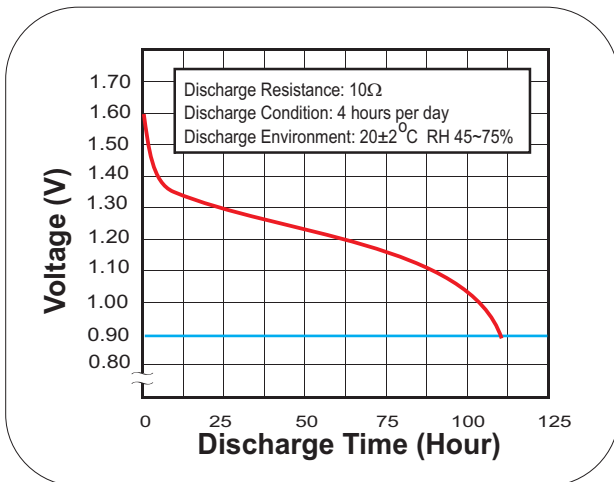
Dimension (∅ x H) : 33.25^{±0.95} x 60.5^{±1} mm
1.31^{±0.04} x 2.38^{±0.04} inch

Terminals : Flat

Nominal Voltage : 1.5Volts

Average Capacity : 21000 mAh to 0.8 volts
(20±2 , Rated capacity at 25 mA continuous drain)

Jacket : Aluminum Foil Label



Notice:

Environmental elements comply with RoHS requirements. This information is subject to change without prior notice and for reference only. It should not be used as a basis for a product guarantee or warranty. For additional information, please consult your nearest Camelion Sales Office or Distributor or visit our website at: www.camelionbattery.com.