

> iXtra – long term high performance

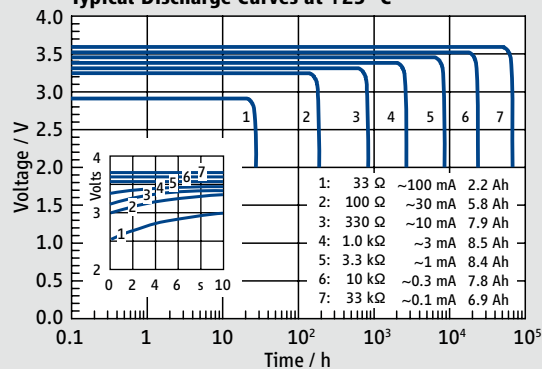
Performance Data

(Typical values for batteries stored at +25 °C for one year)

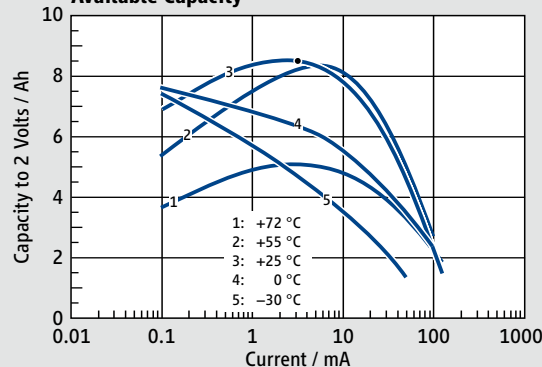
| | |
|-----------------------------------|--------------------------|
| System | Lithium Thionyl Chloride |
| Nominal voltage | 3.6 V |
| Nominal capacity | 8.5 Ah |
| Nominal current | 3 mA |
| Max. continuous discharge current | 230 mA |
| Pulse current capability | 400 mA |
| Anode surface area | 30 cm ² |
| Lithium content | 2.5 g |
| Weight | 49.5 g |
| Volume | 26 cm ³ |
| Temperature range | -55 °C ... +85 °C |



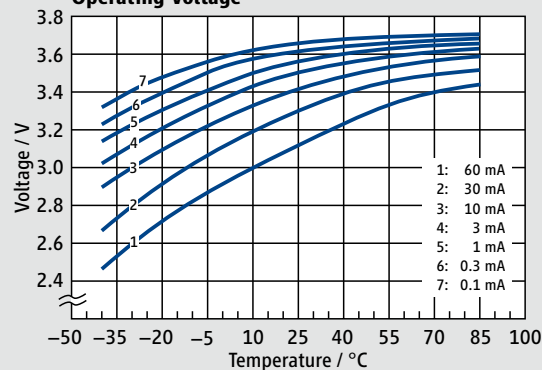
Typical Discharge Curves at +25 °C



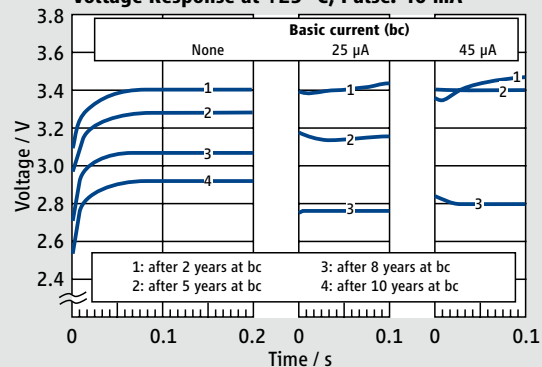
Available Capacity



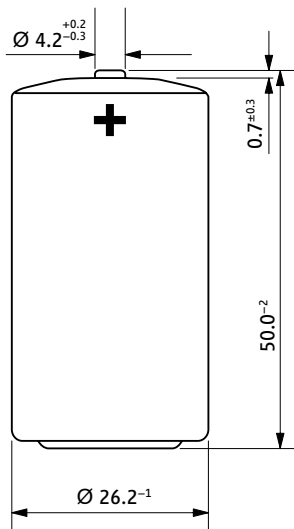
Operating Voltage



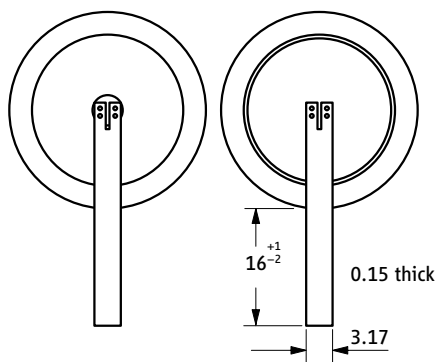
Voltage Response at +25 °C, Pulse: 40 mA



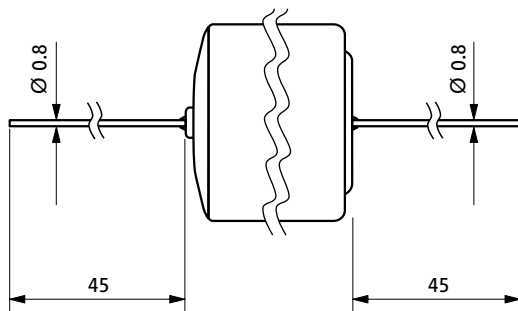
SL-2770/S



SL-2770/T



SL-2770/P



Available Terminations

| | | |
|-----------|----------|-----------------------------|
| SL-2770/S | Standard | Catalogue No. 11 2 17701 00 |
| SL-2770/T | Tags | Catalogue No. 11 2 17702 00 |
| SL-2770/P | Pins | Catalogue No. 11 2 17703 00 |

WARNING: Fire, explosion, and severe burn hazard. Do not recharge, disassemble, heat above 100 °C, incinerate, or expose contents to water.