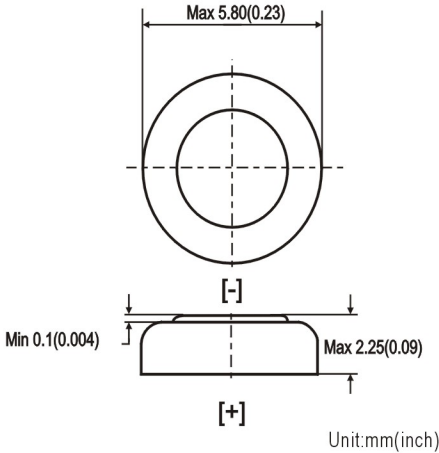


## ALKALINE BUTTON CELL

Document Title: PB03521

# LR 521



**Chemical System :** Primary Alkaline

**Camelion Model :** LR521 (AG 0)

**IEC Name:** LR 63

**Average Weight :** 0.22g

**Dimension (∅ x H) :** 5.80x 2.25mm  
(0.23 x 0.09inch)

**Negative Terminal :** Trimetal or steel gold plated

**Positive Terminal:** Nickel plated steel

**Nominal Voltage :** 1.5Volts

**Nominal Service Capacity:** 9mAh  
(20±2°C , Rated at 47k Ω to 0.9V)

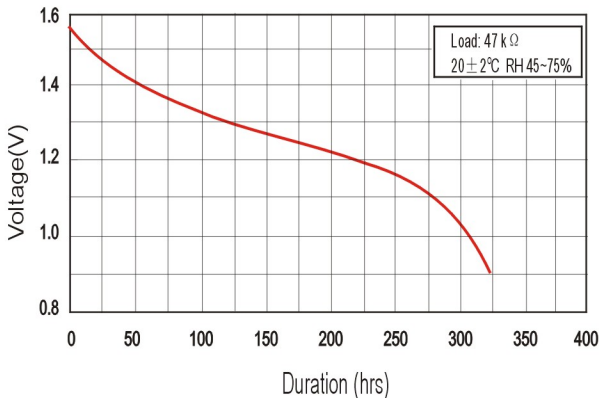
**Discharge Current:** 0~5.0mA

**Cross Reference:** 379(Eveready), V379(Varta),  
LR521(Maxell)

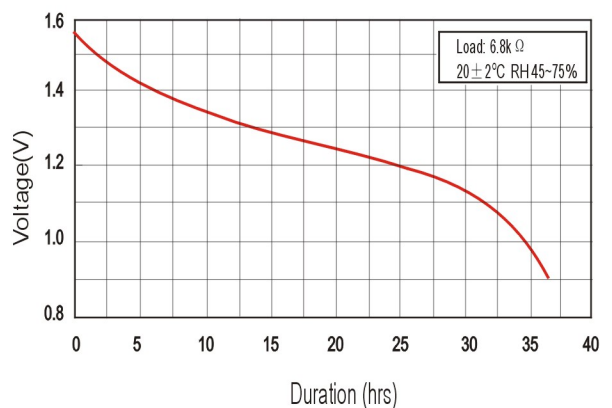
## Discharge Characteristic

Load Resistance	Cut Off Voltage	Discharge Pattern	Starting Drain	Duration
47k Ω	0.9V	24hrs/day	0.03mA	320hrs
6.8k Ω	0.9V	24hrs/day	0.19mA	36hrs

Discharge Curve



Discharge Curve



**Notice:**

This information is subject to change without prior notice and for reference only. It should not be used as a basis for a product guarantee or warranty. For additional information, please consult your nearest Camelion Sales Office or Distributor or visit our website at: [www.camelionbattery.com](http://www.camelionbattery.com).