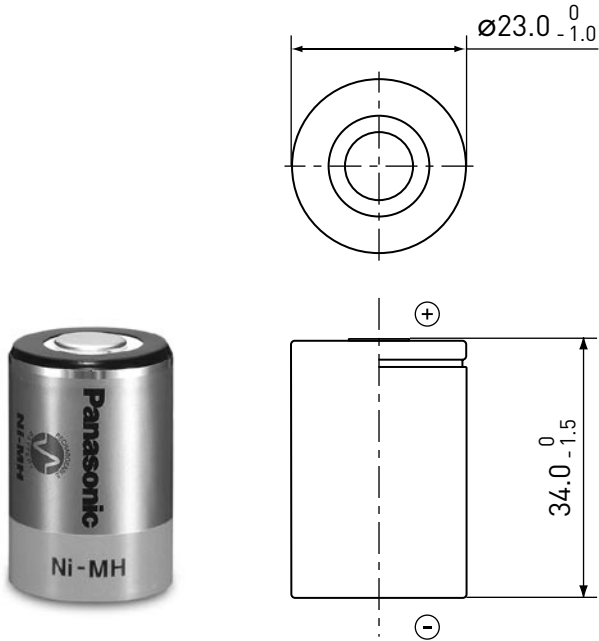


HHR-200SCP/FT CYLINDRICAL 4/5 SC SIZE

DIMENSIONS (MM)

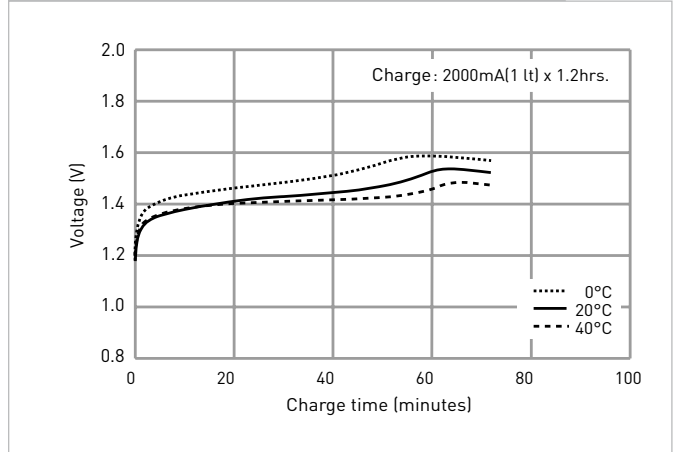


SPECIFICATIONS

Name		HHR-200SCP/FT	
Diameter (mm)		23.0 +0/-1.0	
Height (mm)		34.0 +0/-1.5	
Approximate weight (g)		43	
Nominal voltage (V)		1.2	
Discharge capacity*1	Average*2 (mAh)	2,100	
	Rated/min. (mAh)	1,900	
Approx. internal impedance at 1,000Hz at charged state (mΩ)		5	
Charge	Standard (mA x hrs.)	200 x 16	
	Rapid*3 (mA x hrs.)	2,000 x 1.2	
Ambient temperature	Charge (°C)	Standard	0 to +45
		Rapid	0 to +40
Discharge (°C)		-10 to +65	
Ambient temperature	Storage (°C)	<1 year	-20 to +35
		<3 months	-20 to +45
		<1 month	-20 to +55

*1 After charging at 0.1It for 16 hours, discharging at 0.2It.
 *2 For reference only.
 *3 Need specially designed control system. Please contact Panasonic for details.

TYPICAL CHARGE CHARACTERISTICS



TYPICAL DISCHARGE CHARACTERISTICS

