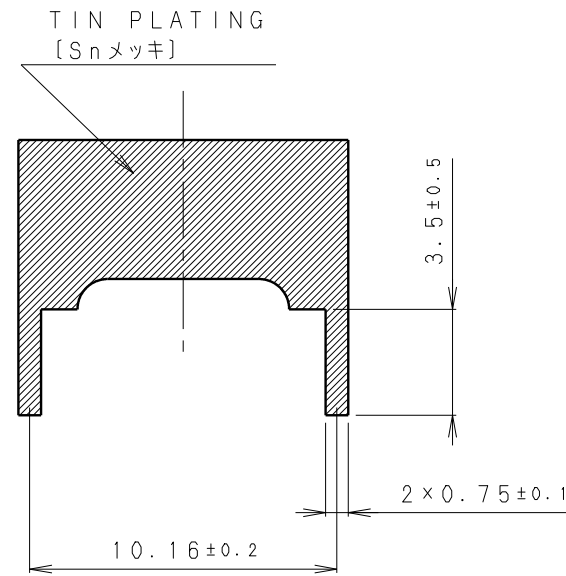
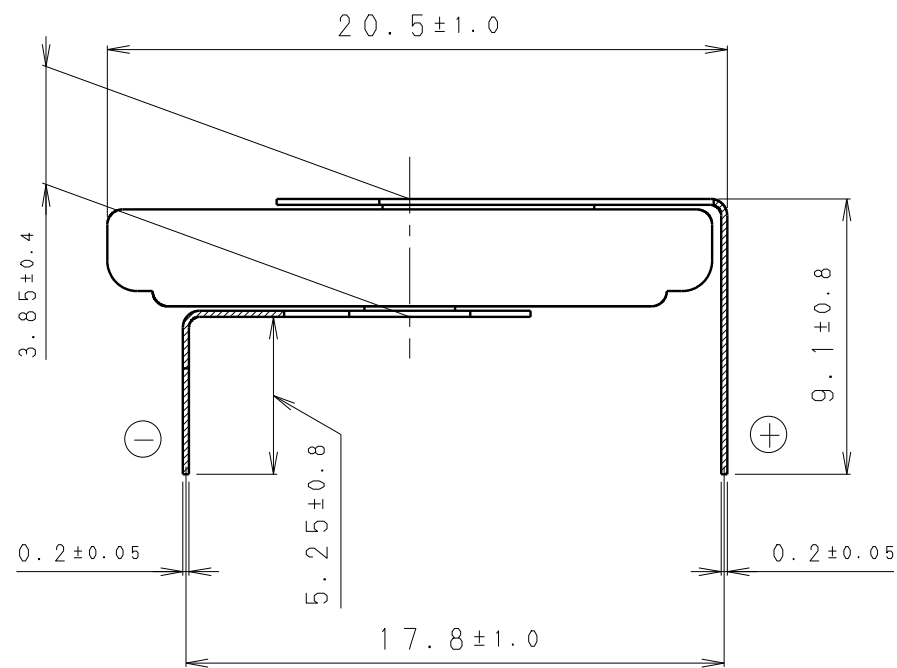
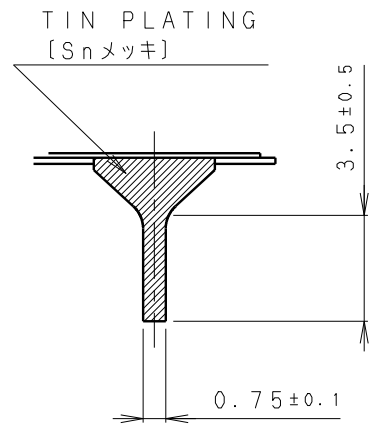
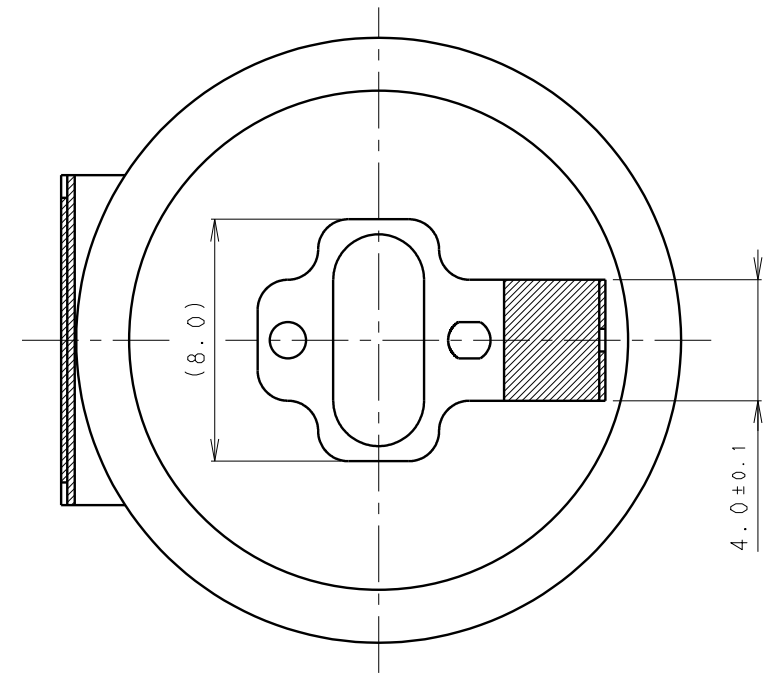
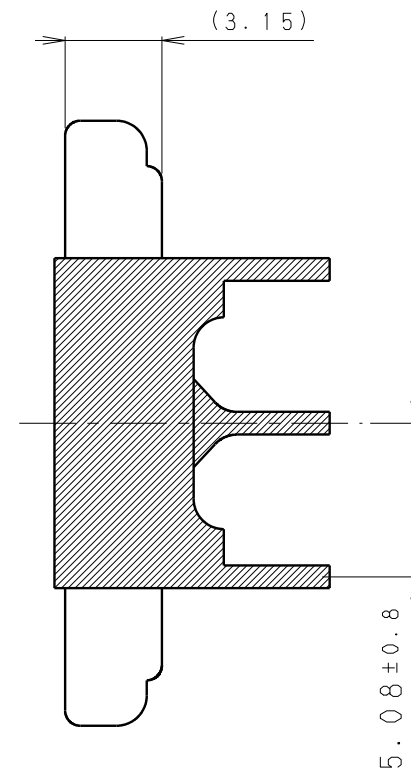
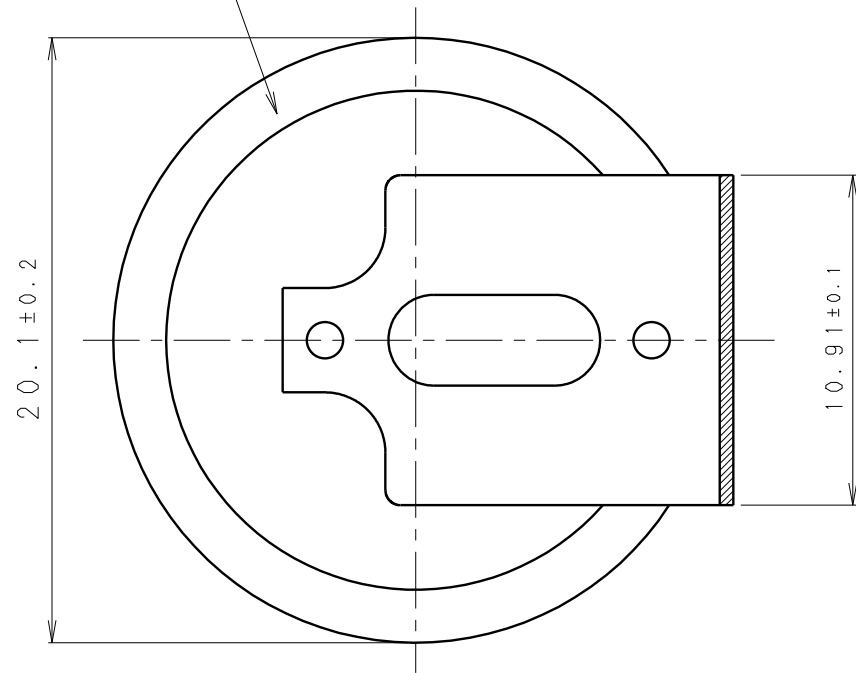


INSULATOR (YELLOW)  
[絶縁チューブ (黄色)]



\* NOTE [注記]

- TAB PULLING STRENGTH OVER 19.6N [端子溶接強度: 19.6N以上]
- TAB MATERIAL: STAINLESS STEEL WITH TIN PLATING  
[端子材料: 基材 ステンレス/表面 部分Snメッキ]
- ( ): REFERENCE DIMENSION AND ANGLE [ ( ) 寸法、角度は参考値]

PRODUCT NO.	CR-2032/GUFN	SCALE	4:1
DRAWING NO.	PMGF1Z	REV.	0
			UNIT:mm