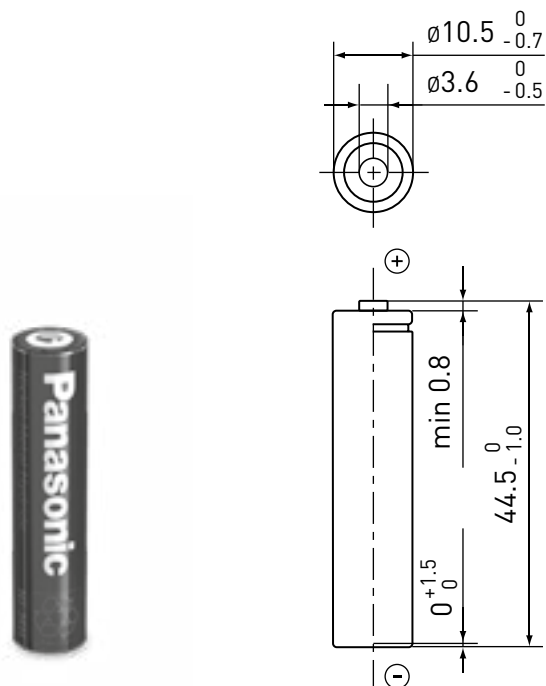


BK-80AAAB
HHR-80AAAB (OLD)

BUTTON TOP TYPE
AAA SIZE (HR11/45)

B type

DIMENSIONS (MM)

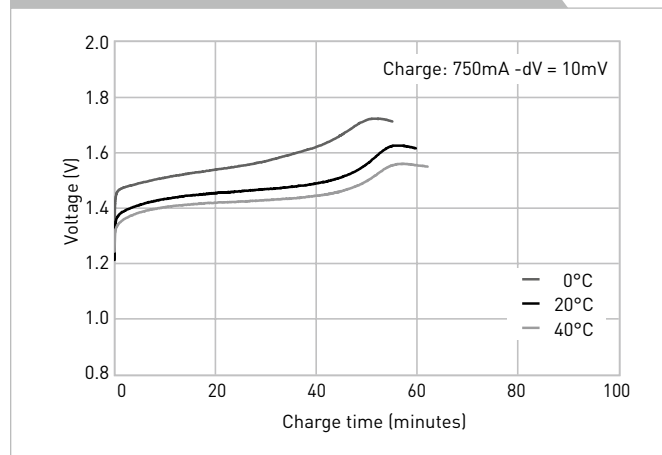


SPECIFICATIONS

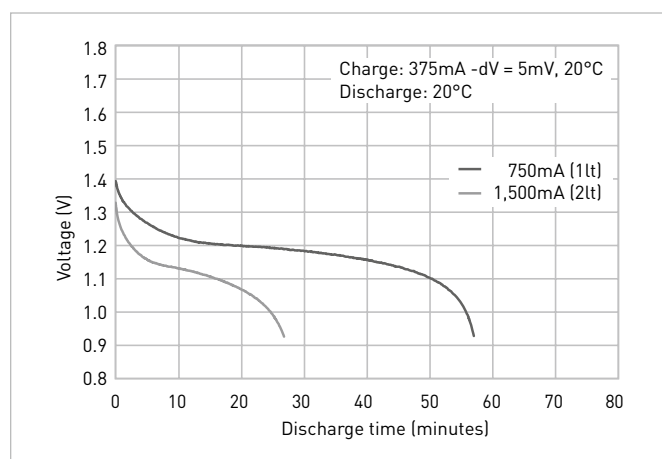
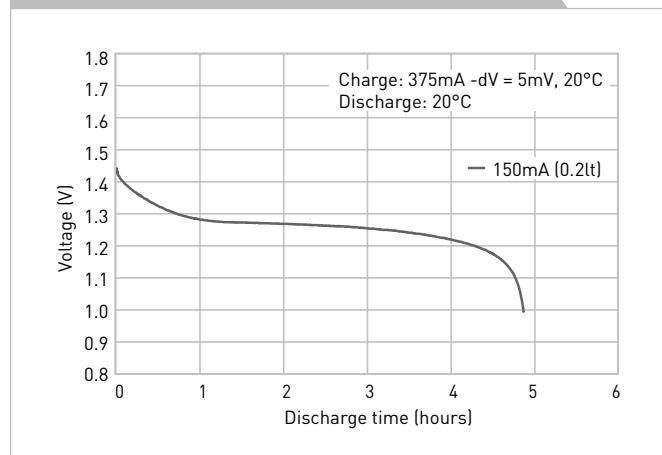
Name		BK-80AAAB
Diameter (mm)		10.5 +0 / -0.7
Height (mm)		44.5 +0 / -1.0
Approximate weight (g)		13
Nominal voltage (V)		1.2
Discharge capacity*1	Average*2 (mAh)	780
	Rated/min. (mAh)	750
Approx. internal impedance at 1,000Hz at charged state (mΩ)		30
Charge	Standard (mA x hrs.)	75 x 16
	Rapid*3 (mA x hrs.)	750 x 1.2
Charge	Standard (°C)	0 to +45
	Rapid (°C)	0 to +40
Discharge (°C)		-10 to +65
Storage	<1 year	-20 to +35
	<6 months	-20 to +45
	<1 month	-20 to +55
	<1 week	-20 to +65

*1 After charging at 0.1It for 16 hours, discharging at 0.2It.
 *2 For reference only.
 *3 Need specially designed control system. Please contact Panasonic for details.

TYPICAL CHARGE CHARACTERISTICS



TYPICAL DISCHARGE CHARACTERISTICS



Battery performance and cycle life are strongly affected by how they are used. In order to maximise battery safety, please consult Panasonic when determining charge/discharge specs, warning label contents and design. The data in this document are for descriptive purposes only and are not intended to make or imply any guarantee or warranty.