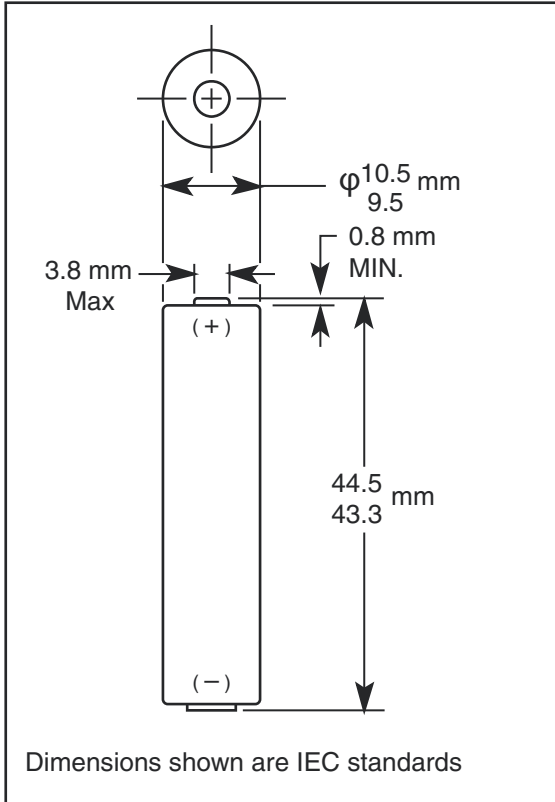
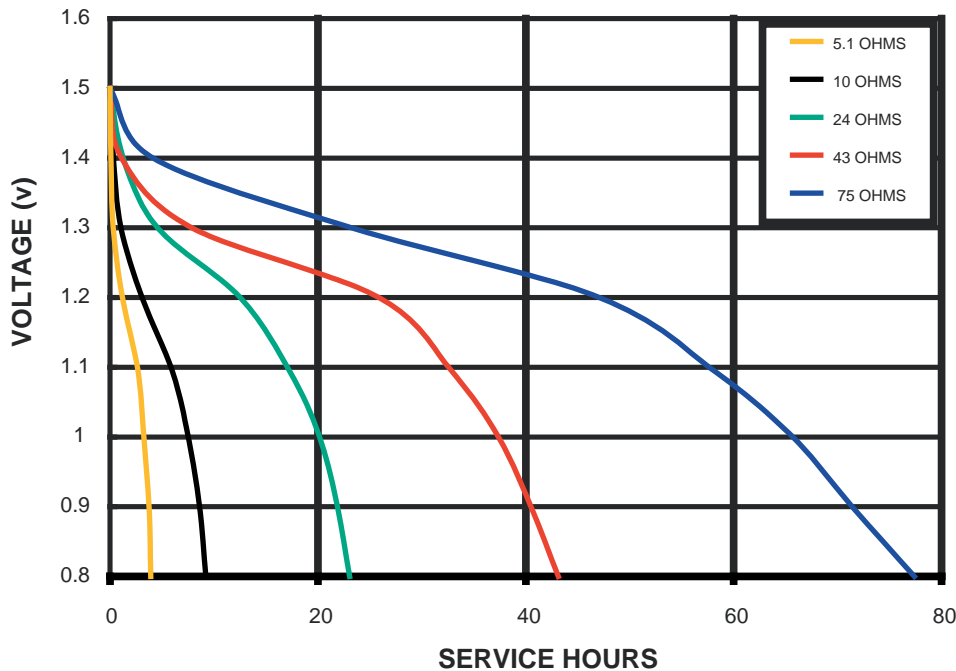


Alkaline-Manganese Dioxide Battery



Nominal Voltage:	1.5 V
Nominal Internal Impedance:	270 m-ohm @ 1kHz
Average Weight:	11 gm (0.39 oz.)
Volume:	3.5 cm ³ (0.21 in. ³)
Terminals:	Flat
Operating Temperature Range:	-20°C to 54°C
IEC:	LR03
ANSI:	24
Others:	Micro, MN2400, AM4, Miniatilo

TYPICAL DISCHARGE CHARACTERISTICS AT 21°C



Duracell Battery Company
Berkshire Corporate Park
Bethel, CT 06801 U.S.A.

*** Delivered capacity is dependent on the applied load, operating temperature and cut-off voltage. Please refer to the charts and discharge data shown for examples of the energy / service life that the battery will provide for various load conditions.**