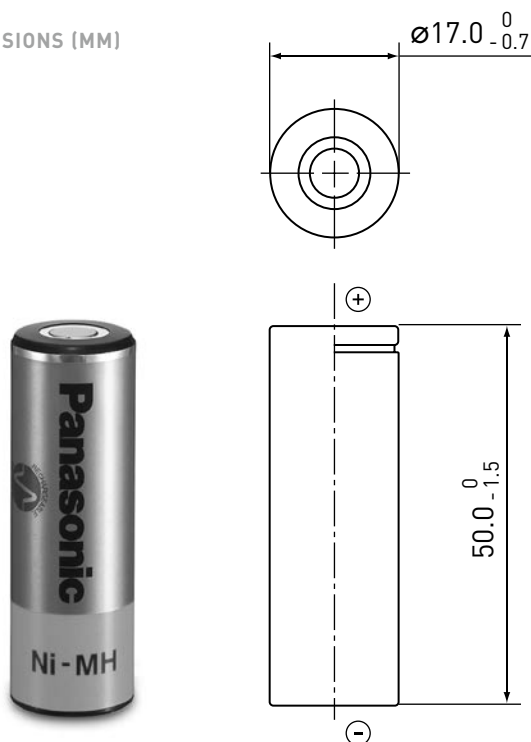


## HHR-210AH/FT CYLINDRICAL A SIZE (HR17/50) FOR BACK-UP USE

## DIMENSIONS (MM)



## SPECIFICATIONS

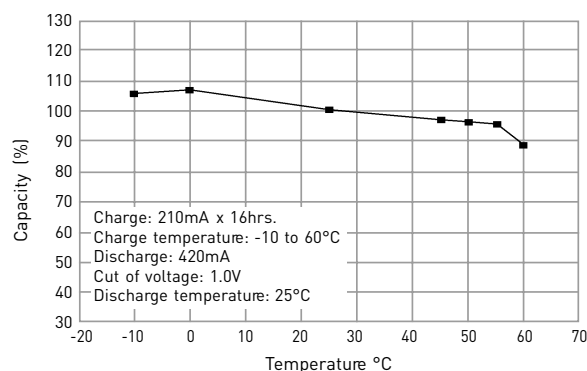
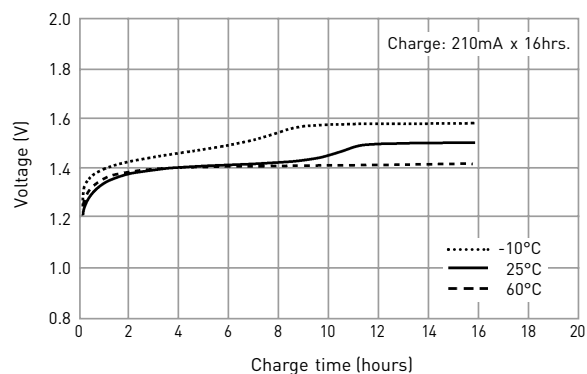
Name		HHR-210AH/FT	
Diameter (mm)		17.0 +0/-0.7	
Height (mm)		50.0 +0/-1.5	
Approximate weight (g)		36	
Nominal voltage (V)		1.2	
Discharge capacity*1	Average*2 (mAh)	2,050	
	Rated/min. (mAh)	1,900	
Approx. internal impedance at 1,000Hz at charged state (mΩ)		20	
Charge	Standard (mA x hrs.)	210 x 16	
	Rapid*3 (mA x hrs.)	1,000 x 2.3	
	Low rate (mA x hrs.)		105 x 32
			70 x 48
Charge (°C)	Standard	-10 to +60	
	Rapid	-10 to +45	
	Low rate	-10 to +45	
Discharge (°C)		-10 to +60	
Ambient temperature	Storage (°C)	<1 year	-20 to +35
		<6 months	-20 to +45
	<1 month	-20 to +55	
	<1 week	-20 to +65	

\*1 After charging at 0.1It for 16 hours, discharging at 0.2It.

\*2 For reference only.

\*3 Need specially designed control system. Please contact Panasonic for details.

## TYPICAL CHARGE CHARACTERISTICS



## TYPICAL DISCHARGE CHARACTERISTICS

