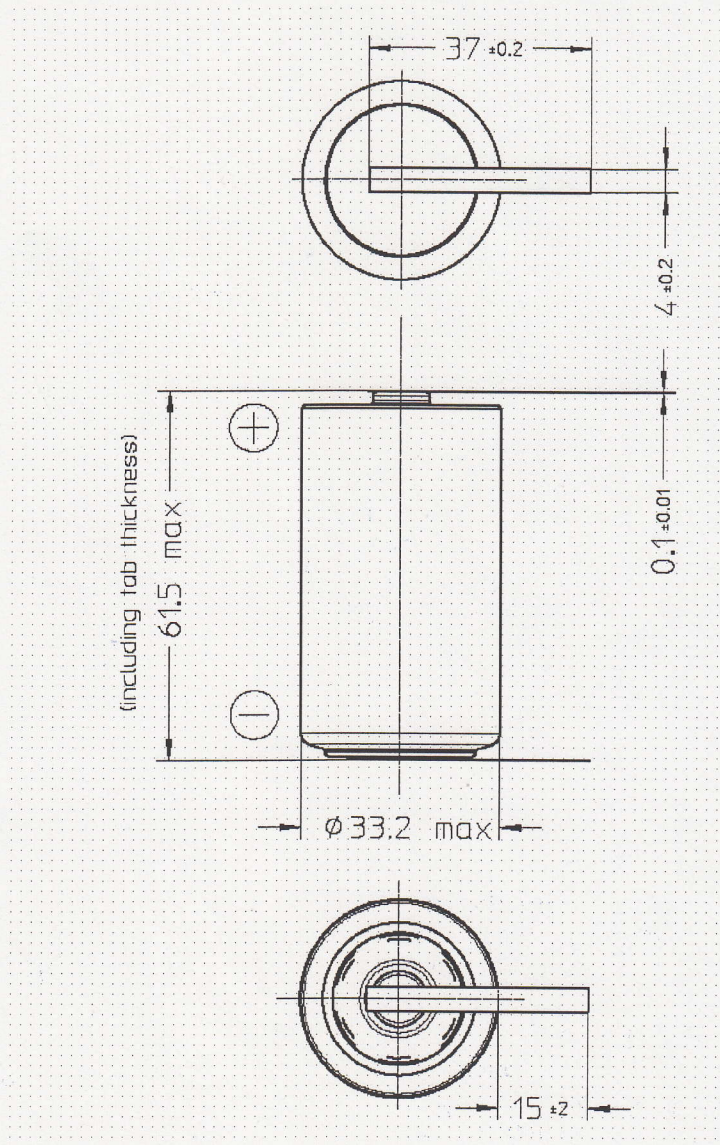




LS 33600 CNR  
(dimensions in mm)

P/N 04589U

Protruding cell version with 2 rectangular nickel radial tabs



LS 33600