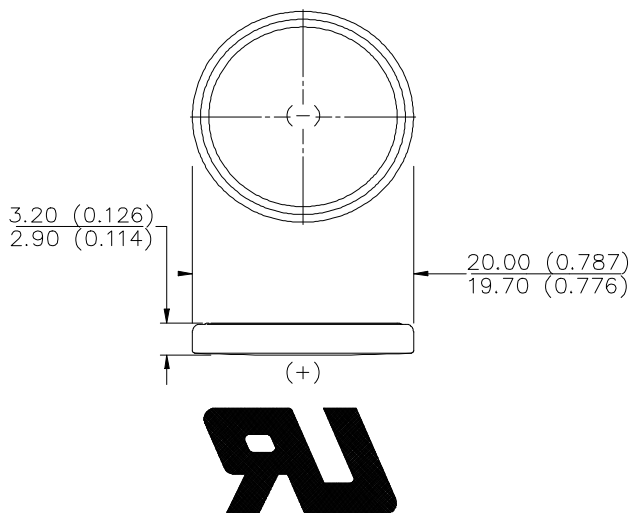


## ENERGIZER NO. CR2032



Industry Standard Dimensions in mm (inches)

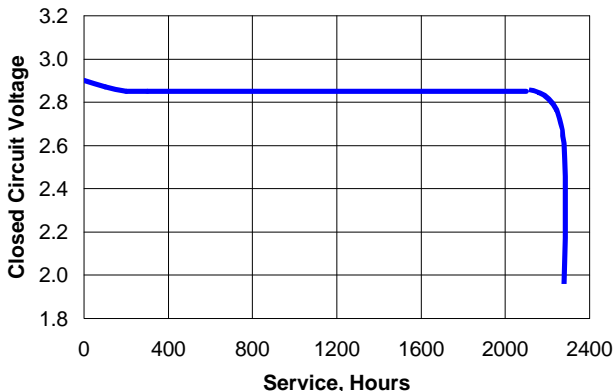


THIS BATTERY HAS UNDERWRITERS LABORATORIES COMPONENT RECOGNITION

**Chemical System:** Lithium / Manganese Dioxide (Li/MnO<sub>2</sub>)

**Designation:** ANSI / NEDA-5004LC, IEC-CR2032  
**Battery Voltage:** 3.0 Volts  
**Average Weight:** 3.3 grams (0.12 oz.)  
**Volume:** 1.0 cubic centimeters (0.06 cubic inch)  
**Average Capacity:** 225 mAh to 2.0 volts  
 (Rated at 10k ohms continuous at 21°C)  
**Maximum Reverse Charge Current:** 1 microampere  
**Energy Density:** 198 milliwatt hr/g, 653 milliwatt hr/cc

**TYPICAL DISCHARGE CURVE**  
 Simulated Test @ 21°C (70°F)



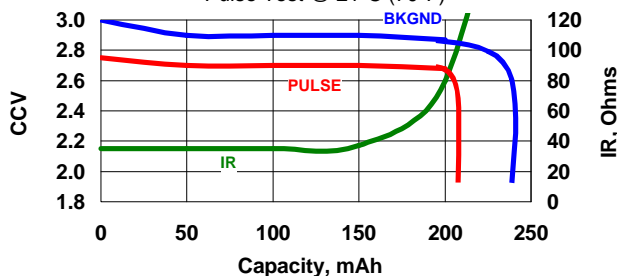
**Simulated Application Test**  
 Estimated Average Service at 21°C (70°F)

Schedule:	Typical Drains at 2.9V (microamperes)	Load (ohms)	Cutoff Voltage
			2.0V
24 hours/day	97	30,000	2,250 Hours

**INTERNAL RESISTANCE CHARACTERISTICS**  
**Pulse Test @ 21°C (70°F)**

**Schedule:** Continuous for background  
 2 seconds X 12times/day for pulse  
**Typical Background Drain @ 2.9V (milliamps):**  
 0.295 milliampères  
**Typical Pulse Drain @ 2.6V (milliamps):**  
 7.3 milliampères  
**Background Load:**  
 10k ohms  
**Pulse Load:**  
 400 ohms

**IR CHARACTERISTICS**  
 Pulse Test @ 21°C (70°F)



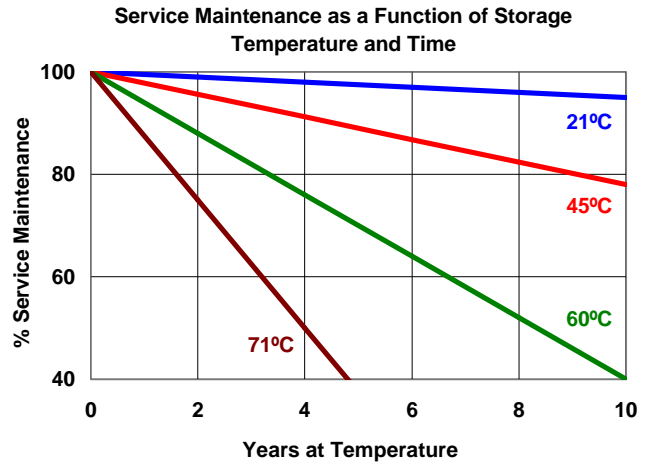
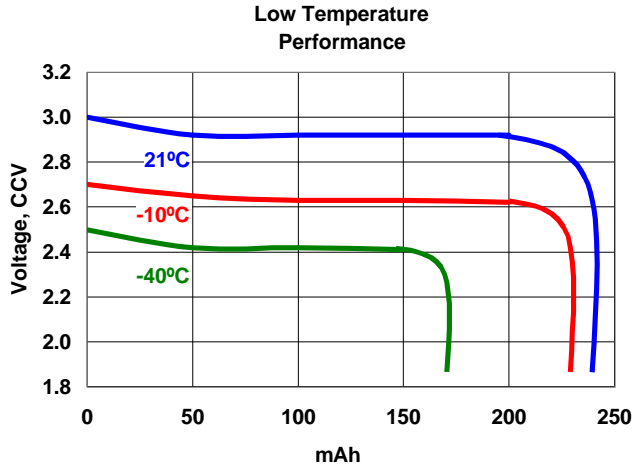
**Important Notice**

This data sheet contains information specific to batteries manufactured at the time of its publication.

**Contents herein do not constitute a warranty.**

Copyright © Eveready Battery Co. Inc. - All Rights Reserved

## ENERGIZER NO. CR2032



### Important Notice

This data sheet contains information specific to batteries manufactured at the time of its publication.

**Contents herein do not constitute a warranty.**

Copyright © Eveready Battery Co. Inc. - All Rights Reserved